

REV	ECN	DATE	BY	APPR
-	ISSUED	4-23-03	BZ	TEZ
A	13921	3-2-07	TEZ	CLK
B	24444	11-13-15	BZ	TEZ
C	24444	9-28-16	TB	XXX

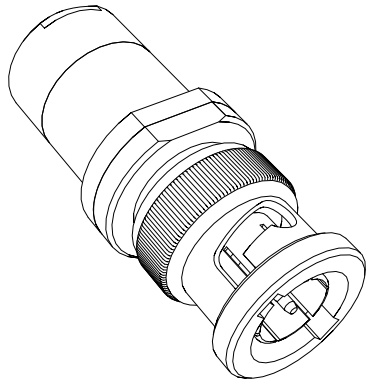
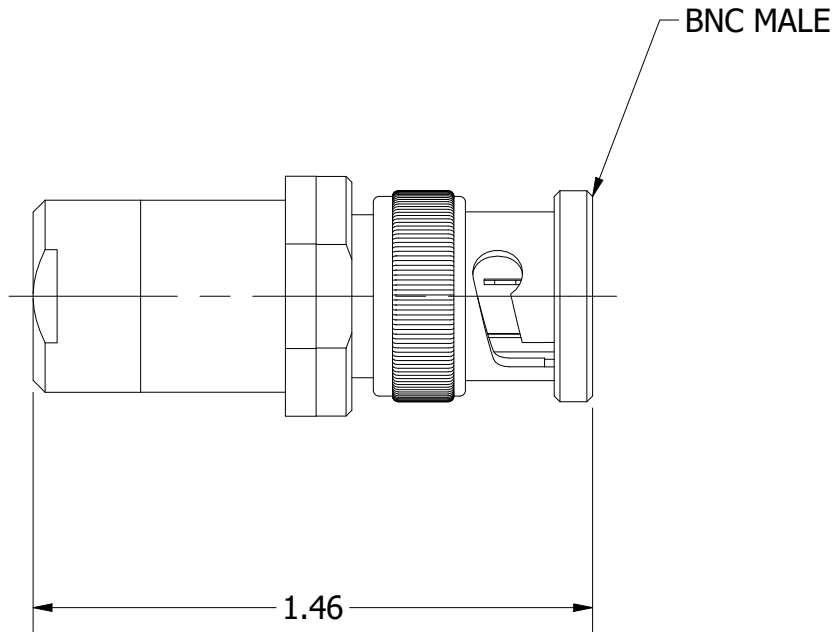


JFW INDUSTRIES, INC.


www.jfwindustries.com

PH: 317-887-1340

MATERIAL	BRASS	PROPRIETARY INFORMATION
FINISH	NICKEL	ALL SURFACES ARE TO BE FREE OF BURRS, PITS & SCRATCHES
MODEL		TOLERANCES
		.XX±.010 .XXX±.005 XX°±.5°
DESCRIPTION	N MALE TERMINATION	DWG #
		092-4208



REV	ECN	DATE	BY	APPR
-	ISSUED	1-12-09	TEZ	TEZ
A	24444	9-17-19	GM	TEZ

		<h1>JFW INDUSTRIES, INC.</h1>	
		www.jfwindustries.com	
<p>PH: 317-887-1340</p>		<p>PROPRIETARY INFORMATION</p>	
<p>MATERIAL</p>		<p>BRASS</p>	
<p>FINISH</p>		<p>NICKEL</p>	
<p>MODEL</p>		<p>50T-XXX</p>	
<p>DESCRIPTION</p>		<p>TERMINATION</p>	
<p>SCALE</p>		<p>x2</p>	
<p>TOLERANCES</p>		<p>.XX±.010 .XXX±.005 XX°±.5°</p>	
<p>DWG #</p>		<p>092-6043</p>	