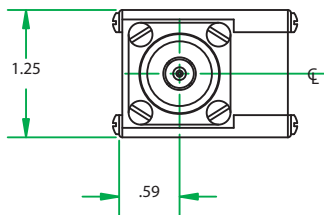
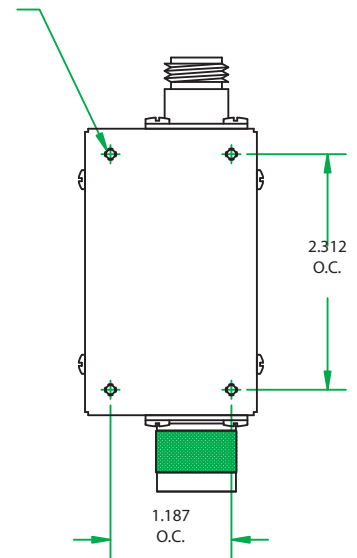


4-40 x .25 DP
4-PLACES



REV		ECN	DATE	BY	DRAWN BY	T.ZEHS	DATE	10-12-99	PROPRIETARY INFORMATION
								ALL SURFACES ARE TO BE FREE OF BURRS, PITS, & SCRATCHES	
								TOLERANCES	
								FRACTIONAL DIM. ± .004	
								2 PLACE DECIMAL ± .010	
								3 PLACE DECIMAL ± .005	
								ANGULAR DIM. ± 1/2°	
								DWG. NO. 092-3183	
					MATERIAL		BRASS		
					FINISH		NICKEL		
					DESCRIPTION		75ZTT-AA N/M/F		
							IMPEDANCE MATCHING TRANSFORMER		