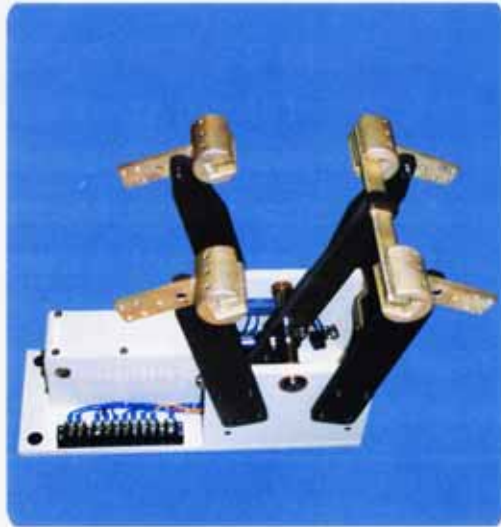
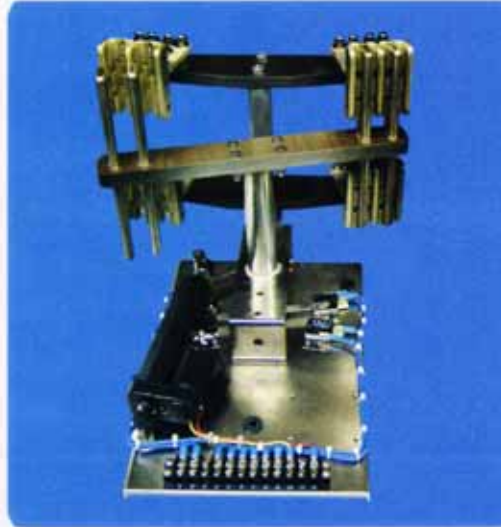




# New From Kintronic Laboratories, Inc.



**Model No. RFC-150L-55-1-110/220**  
**Single Pole Double Throw**  
**150 Amp, 55KV**  
**Dims: 20" L X 14.75" H X 10" W**

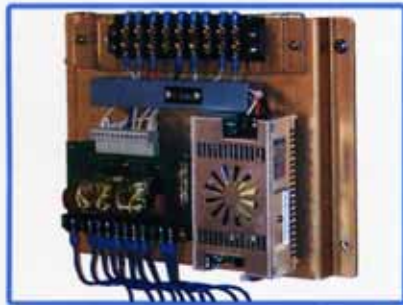


**Model No. RFC-200L-30-1-110/220**  
**Single Pole Double Throw**  
**200 Amp, 30 KV**  
**Dims: 14.25" L X 12.75" H X 12" W**



**Model No. RFC-200L-80-1-110/220**  
**Single Pole Double Throw**  
**200 Amp, 80 KV**  
**Dims: 25" L X 24" H X 17.5" W**

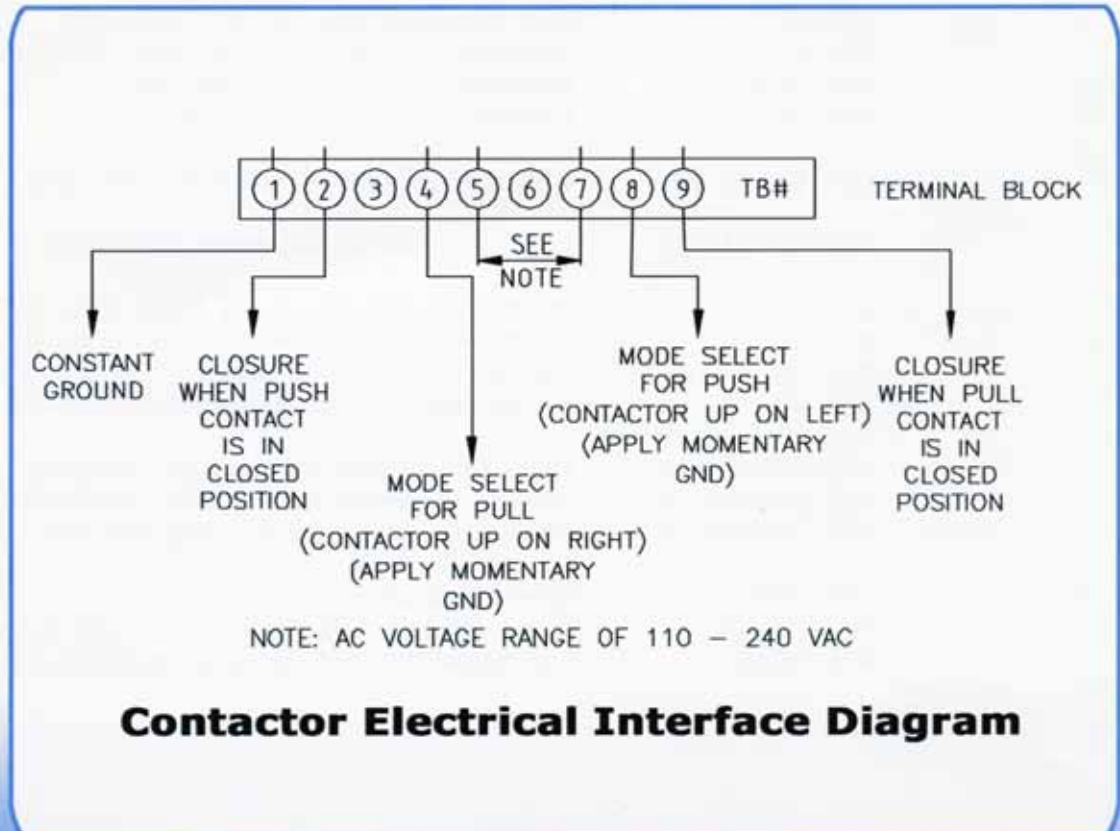
## RF Linear Drive Contactors For High Power AM/MW Applications



**Part No. RFC-ACSP**  
**Contactor Driver**  
**Assembly**



**Part No. MKS-75-24**  
**Power Supply 110-240Vac**  
**to 24Vdc 2 amp**



**Contactor Electrical Interface Diagram**

# RF Linear Drive Contactors For High Power AM/MW Applications

## PRIMARY FEATURES:

- No Shock Or Vibration
- High Mean Time Between Failure
- Actuator Driver Board Includes Contactor Position Selection Switches
- Switching Time Less Than Or Equal To One Second
- Dry Closures For Position Sensing
- Simplicity In Design & Required Maintenance
- Operational Voltage: 110-240VAC, 50-60Hz

## RF Contactor Replacement Parts

RFC-61	Finger Contact Holder For RFC 150L-55
RFC-80	Finger Contact Holder For RFC-200L-30
RFC-206	Finger Contact Holder For RFC-200L-80
RFC-03P	Spring Finger Contact
RFC-75P	Spring Finger Contact For RFC-150L (2 required per contact)
RFC-66	Side Insulator Bar For RFC-150L-55
RFC-68	Moveable Bar For RFC-150L-55
RFC-69	Contact Bar For RFC-150L-55
RFC-82	Side Insulator Bar For RFC-200L-30
RFC-83	Moveable Insulator Bar For RFC-200L-30
RFC-203	Moveable Bar For RFC-200L-80
RFC-207	Contact Bar For RFC-200L-80
S24-09A04-04	Actuator Linear 24V For RFC-150L and RFC-200L
HHSMITH91116	Rubber Mounting Grommet (RFC-26)
RFC-37	#1 Microswitch Assembly (RFC-150L, RFC-200L)
RFC-38	#2 Microswitch Assembly (RFC-200L-30)
RFC-39	#3 Microswitch Assembly (RFC-150L, RSC-200L)
RFC-40	#4 Microswitch Assembly (RFC-200L-30)
RFC-150-55-CK	DPST Conversion Kit For RFC-150-55-1
RFC-200-30-CK	DPDT Conversion Kit For RFC-200-30-1
RFC-200-80-CK	DPST Conversion Kit For RFC-200-80
SRP-3WP	Linear Actuator Driver Board
MKS-75-24	Power Supply 110-240Vac to 24Vdc 2 amp
RFC-ACSP	Contactor Driver Assembly, including Power Supply



**Kintronic Labs, Inc.**

**Kintronic Laboratories, Inc. • PO Box 845 • Bristol, TN 37621**

**423.878.3141 fax 423.878.4224 Email: ktl@kintronic.com www.kintronic.com**



# KINTRONIC LABS

## RF CONTACTOR SERIES

### APPLICATIONS

- Main / Standby AM/Medium Wave Transmitter or Antenna Transfer Switches
- AM / Medium Wave Directional Antenna Pattern Switches
- AM / Medium Wave Transmitter Combiner Switches
- AC Transformer Tap Switches
- LF/VLF Transmitter or Antenna Transfer Switches

### CONFIGURATION OPTIONS

- Single Pole, Double Throw (SPDT)
- Double Pole, Double Throw (DPDT)
- Dual Position Status Microswitches

RFC 40-20-2



#### MODEL RFC40-20 SERIES

- Dimensions: 8" (20.30 cm) L X 6.5" (16.5 cm) W X 6.5" (16.5 cm) H
- Current Rating: 40 Amps Max
- Voltage Rating: 20 KV Max (0-1km. ASL) †

†Voltage Ratings Decrease With Increasing Altitude Above 1km, ASL

### COMMON FEATURES

- Frequency Range: 0-5MHZ
- AC Power Required: 110/220 AC\*, 50-60 HZ, 4/ 8 Amps Inrush
- Switching Time: Less Than One Second
- Inline Microswitches for Solenoid Protection
- Position Status Microswitches
- Mechanically Latching
- Electrical Interface Via Terminal Barrier Strip
- Complete Line of Spare Parts Available for Immediate Delivery
- All RF Connections via Boltdown Hardware
- Optional: 24VDC Low Voltage Slave Relay Drive Boards
- RFC 150-55 and RFC 200-35 Series Are Available With 220 VAC Operation Only.

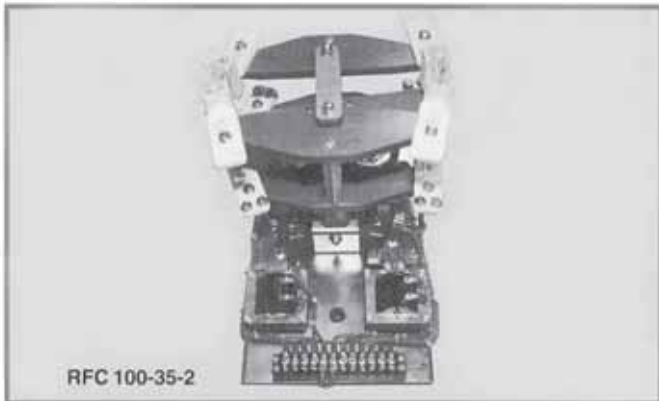
RFC 80-30-2



#### MODEL RFC80-30 SERIES

- Dimensions: 13" (33 cm) L X 9" (22.9 cm) W X 7" (17.8 cm) H
- Current Rating: 65 Amps Max
- Voltage Rating: 30 KV Max (0-1km. ASL) †

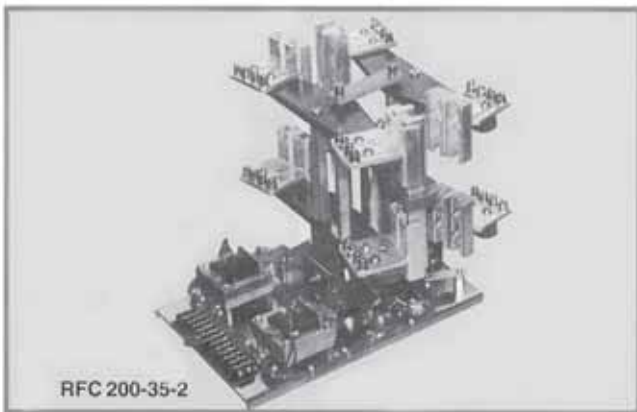
# KINTRONIC LABORATORIES INC. RF CONTACTOR SERIES



RFC 100-35-2

### RFC-100-35-2 SERIES

- Dimensions: 14.5" (36.8 cm) L X 10.5" (26.7 cm) W X 10.5" (26.7 cm) H
- Current Rating: 100 Amps Max
- Voltage Rating: 35 KV Max (0-1km. ASL) †



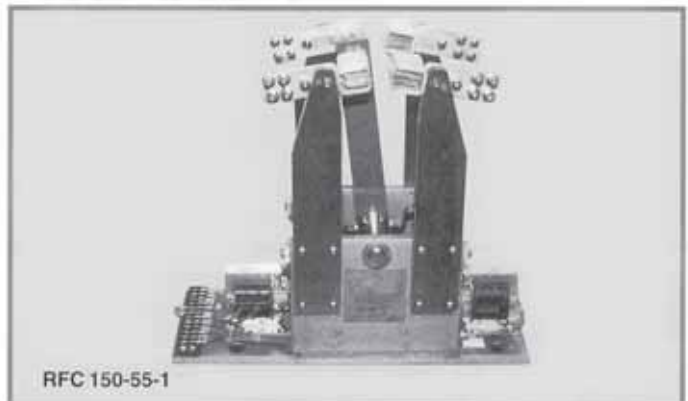
RFC 200-35-2

### RFC-200-35-2 SERIES

- Dimensions: 14.5" (36.8 cm) L X 11.75" (29.8 cm) W X 12.38" (31.4 cm) H
- Current Rating: 200 Amps Max
- Voltage Rating: 35 KV Max (0-1km. ASL) †

Note: Solenoid Operating Voltage Is Field Changeable Between 110VAC and 220 VAC On the RFC 40-20, RFC80-30, RFC 100-35 Contactor Series As Per the Wiring Diagram Shown At Right.

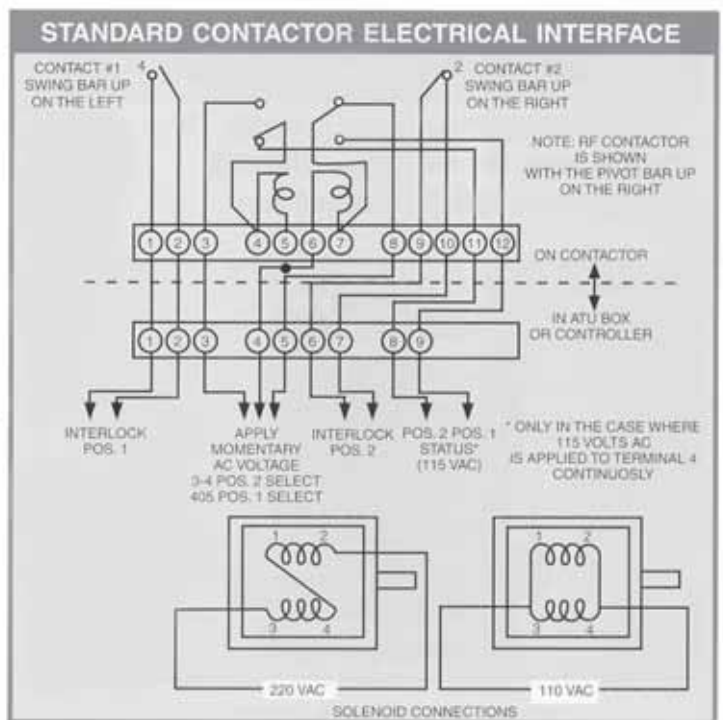
†Voltage Rating Decreases With Increasing Altitude Above 1km. ASL



RFC 150-55-1

### RFC 150-55-1

- Dimensions: 16.5" (42 cm) L X 8.25" (21 cm) W X 15" (38 cm) H
  - Current Rating: 150 Amps Max
  - Voltage Rating: 55KV Max (0-1 km. ASL) †
- Note: Available In Single Pole, Double Throw (SPDT) Configuration Only.



# KINTRONIC LABS

WEB SITE: <http://www.kintronic.com>