

Millimeter Wave Frequency Multipliers

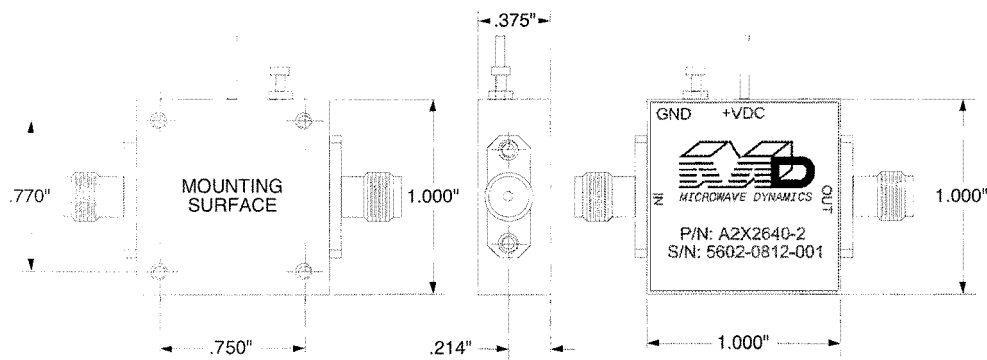
Features:

- Low Cost
- 2.92 mm, 2.4 mm and 1.85 mm Connectors and Standard Waveguides
- Power Output + 7 dBm typical.
- Fundamental Isolation 20 dB Typical
- Low VSWR 2.5:1 Max



MD Model Number	Input Frequency Range (Ghz.)	Input Power (dBm)	Output Frequency Range (Ghz.)	Output Connection	Output Power (dBm)	Supply Requirements (VDC @ Imax)	Case Style
A2X1840-2	9-20	+7	18-40	2.92 mm	+7	8 V @ 200 ma	-2
A2X1826-2	9-13.25	+7	18-26.5	WR-42	+9	8 V @ 200 ma	-2
A3X1826-2	6-8.83	+7	18-26.5	WR-42	+9	8 V @ 200 ma	-2
A2X2640-2	13.25-20	+7	26.5-40	WR-28	+7	8 V @ 200 ma	-2
A3X2640-2	8.83-13.33	+7	26.5-40	WR-28	+7	8 V @ 250 ma	-2
A2X3350-1 *	16.5-25	+7	33-50	WR-22	0	8 V @ 150 ma	*
A3X3350-1 *	11-16.67	+7	33-50	WR-22	-2	8 V @ 150 ma	*
A2X4060-1 *	20-30	+7	40-60	WR-19	-1	8 V @ 150 ma	*
A3X4060-1 *	13.33-20	+7	40-60	WR-19	-3	8 V @ 150 ma	*
A3X5075-1 *	16.66-25.0	+7	50-75	WR-15	-3	8 V @ 200 ma	*

* Limited Bandwidth and Different Cas Style. Please consult factory with requirements and Case Outline



-2 Case Style



MICROWAVE DYNAMICS, 14321 CHAMBERS ROAD, TUSTIN, CA 92780

PHONE: 714-505-0998 FAX: 714-505-0994

Web Page: <http://www.microwave-dynamics.com> Email : info@microwave-dynamics.com