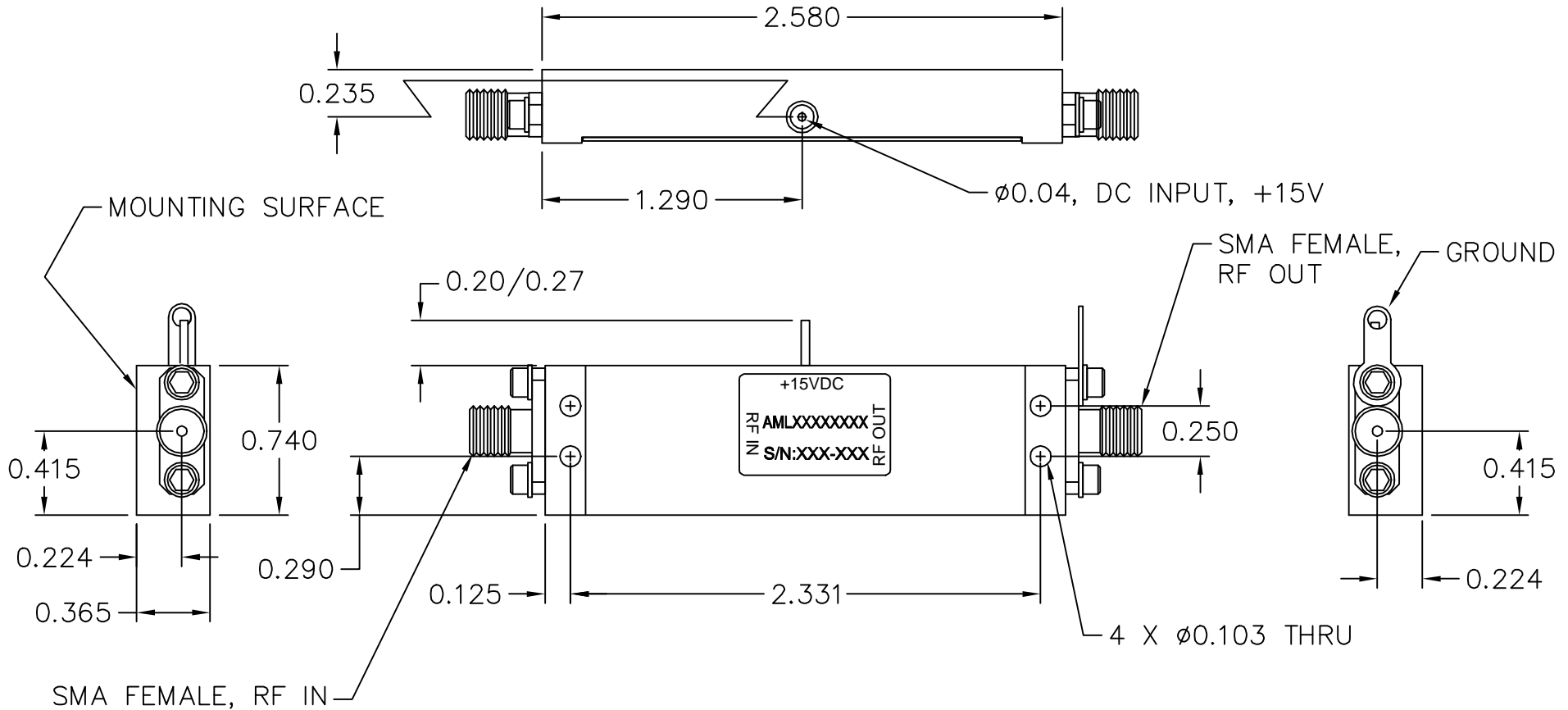


REVISIONS				
ECO#	REV	DESCRIPTION	DATE	APPROVED
	-	PRODUCTION RELEASE	8/14/03	M. CALAYAN



NOTES:

1. MARK LABEL (003-0231) AS SHOWN. MARK SERIAL NUMBER, DATE CODE AND MODEL NUMBER AS PER TRAVELER.

<small>UNLESS OTHERWISE SPECIFIED DIMENSIONS ARE IN INCHES TOLERANCES ARE:</small> <small>DECIMALS ANGLES</small> <small>.XX ± 0.01 ± 5°</small> <small>.XXX ± .005</small>	 THIRD ANGLE PROJECTION	DRAWN BY SH    CHECK BY SH	TITLE: <b>OUTLINE, 6-18 GHz CATALOG, 8 STAGE (K8)</b>	 CAMARILLO, CALIFORNIA, USA
		DESIGNED BY SH		
MATERIAL: ALUM ALLDY 6061	APPROVED:	ENGR: Thai Tran 8/13/03	<small>GENERAL FABRICATION NOTES: (UNLESS OTHERWISE NOTED)</small> 1. REMOVE ALL BURRS AND BREAK SHARP EDGES. 2. DIMENSIONS: APPLY AFTER FINISH. 3. ALL BENDS TO BE 90°. 4. $\sqrt{\quad}$ MAX. MACHINE FINISH.	BOM NUMBER
FINISH: ELECTROLESS NI MIL-C-26074C 0.0003/0.0005 THICK	MFG ENGR: Della Virto 8/14/03	QA: Greg Isler 8/13/03		SHEET NUMBER: 1 OF 1    SIZE: B
DO NOT SCALE DRAWING	RELEASED BY:	GENERAL ASSEMBLY NOTES: (UNLESS OTHERWISE NOTED) 1. ASSEMBLE AS PER WORKMANSHIP REQUIREMENTS OF IPC-A-610, CLASS 2	DRAWING NUMBER: 002-0318    REV: -	