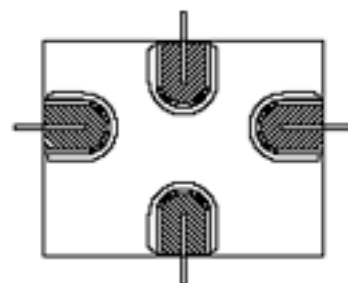
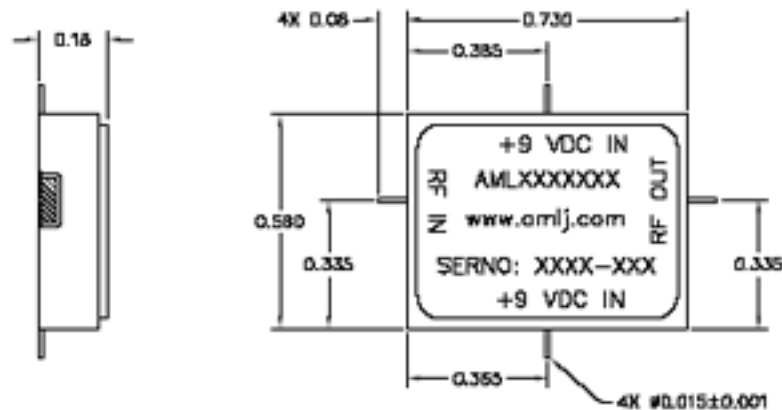


This document is the property of AML Communications, Inc. The information contained herein is intended for use by the recipient only. It is not to be distributed, copied, or used for any other purpose without the written authorization of AML Communications, Inc. This document is intended for use by the recipient only. It is not to be distributed, copied, or used for any other purpose without the written authorization of AML Communications, Inc.

REVISIONS				
CD#	REV	DESCRIPTION	DATE	APPROVED



NOTES:

1. MARK SERIAL NUMBER/DATE CODE AS INDICATED BY TRAVELER, WITH BLACK INK PER MIL-STD-130.
2. MOUNTING SURFACE AND LEADS ARE GOLD PLATED, 50 μ IN THK MIN.
3. DURING INSTALLATION AMPLIFIER SHALL BE LIMITED TO SOLDERING TEMPERATURES OF 185°C FOR 30 SECONDS MAX.
4. STATIC SENSITIVE DEVICE. HANDLE ACCORDINGLY.
5. PCB LAND PATTERN IS AVAILABLE FROM AML COMMUNICATIONS, INC.
6. SUGGESTED PCB MATERIAL: ROGERS, R043508, 0.030 THK, 1 ϕ z COPPER, GOLD PLATED ON BOTH SIGNAL AND GROUND LAYERS.
7. DC INPUT VOLTAGE MUST BE REGULATED.

MOUNTING SURFACE, REQUIRES HEATSINK

STATIC SENSITIVE DEVICE

USE THIS SYMBOL TO INDICATE THIS IS A STATIC SENSITIVE DEVICE 	DESIGNED BY	CHECKED BY	OUTLINE CATALOG (SMTH2)	
	APPROVED BY	DATE		
WORK: ALUMINUM BODY HAS GOLD PLATED SURF. 50 μ IN THK MIN. FINISH: GOLD PLATE FOR 1875-5458	DATE	DATE	WORLD MTS DATE	NEW NUMBER
DO NOT SCALE DRAWING	SPEC. APPROVAL DATE: (MAYBE CTS-DRIVE SPECIFIED) 1. MARKED DEVICE FOR USE/DATE 11-14-00-1884 2. MARKED DEVICE FOR USE/DATE 11-14-00-1884 3. MARKED DEVICE FOR USE/DATE 11-14-00-1884	DATE DATE DATE	1 OF 1 1 OF 1	DEC 0 NOV 0