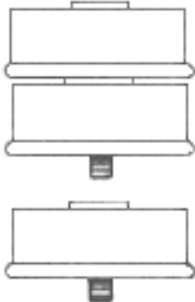




180 Lafayette Road
 North Hampton, NH 03862-2448
 PH: 603-964-3165
 FX: 603-964-3168
 WWW.PDEELECTRONICS.COM

Rectifier Assembly
 High Voltage Doorbell Module
 Ultra Fast Recovery
 UDH25000

- Peak reverse voltage to 25kV
- Current rating to 800mA
- 150°C junction temp
- Recovery time to 75nS
- Surge rating to 35A
- Modular design for easy stacking
- MIL-PRF-19500 Similarity
- Using metallurgically-bonded glass-passivated diodes

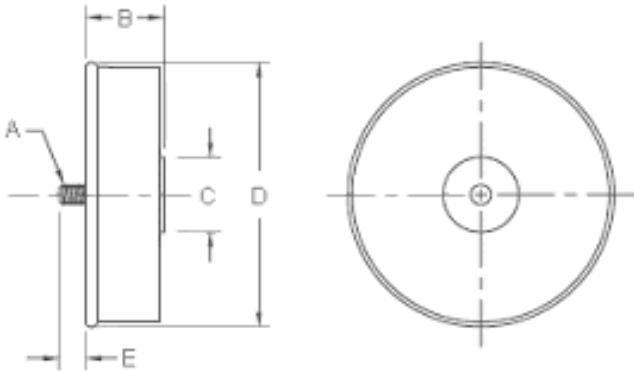


DESCRIPTION

This series of high voltage, high current rectifiers have a very unique design, which are best used for high power applications.

ELECTRICAL CHARACTERISTICS (at 25°C unless otherwise noted)						
Part Number	Vrrm	Max Forward Voltage Drop	Max Leakage Current @Vrrm	Max Reverse Recovery Time	Average Forward Current	Max Surge Current t=8.3mS
					Tc = 75°C	
	V		µA	nS	Amps	Amps
UDH25000	25,000	28V @ 800mA	5	(1)75	0.8	(2) 35

(1)Measured on discretes prior to assembly in reverse recovery circuit switching from 0.5A forward to 1.0A reverse current recovering to 0.25A.
 (2)Capable by design



Dim.	Inches		Notes
	Minimum	Maximum	
A	-	-	¼-28
B	-	.78	-
C	.63 typical		Diameter
D	-	1.9	Diameter
E	.25 typical		Typical

Polarity- Cathode connected to base.

THERMAL AND MECHANICAL CHARACTERISTICS		
Storage Temp Range	Tstg	-65°C to 150°C
Operation Junction Temp range	Tj	-65°C to 150°C

Specifications subject to change without notice to ensure a better product
PD&E Electronics 180 Lafayette Rd. North Hampton, NH 03862
 Ph: (603) 964-3165 Fx: (603) 964-3168 Web: WWW.PDEELECTRONICS.COM