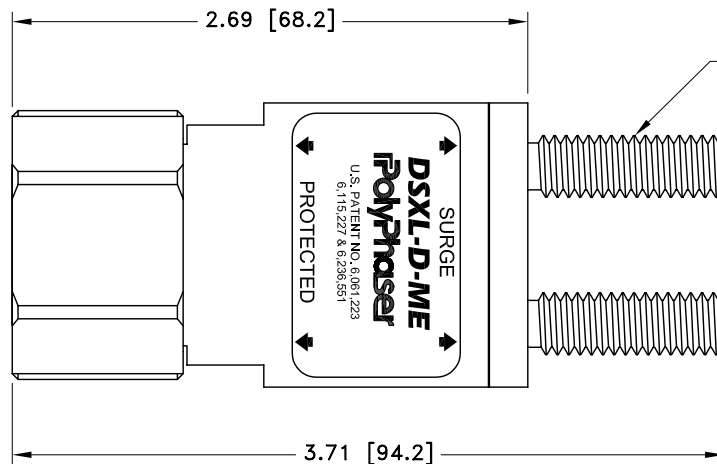
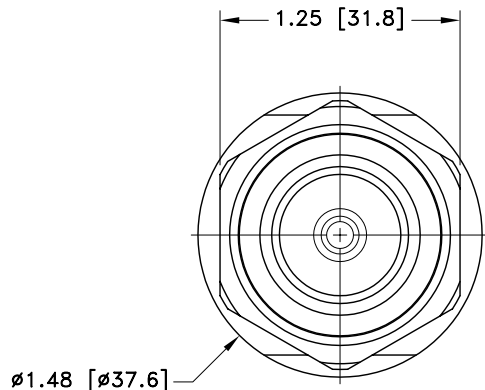


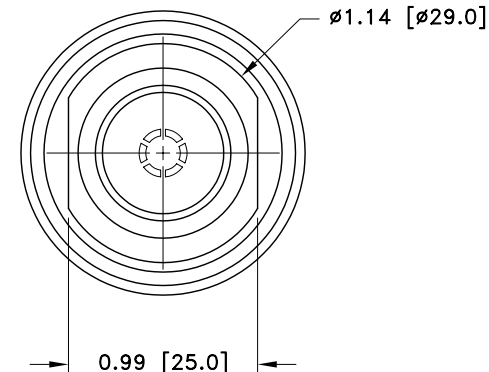
ALL DESIGN, OPERATIVE AND PROCESS DATA PERTAINING TO THE ARTICLE SHOWN ON THIS SHEET IS THE PROPERTY OF POLYPHASER CORPORATION. THE INFORMATION IS NOT TO BE COPIED, REPRODUCED, REVEALED TO OR APPROPRIATED BY OTHERS WITHOUT THE EXPRESS WRITTEN CONSENT OF POLYPHASER CORPORATION.

REVISIONS

REV LTR	DATE	ENG	MKTG	Q.A.
---------	------	-----	------	------



M29 X 1.5



MAXIMUM CHARACTERISTICS

APPLICATION:

BULKHEAD, WEATHERPROOF WHEN INSTALLED

SURGE:

30kA IEC 61000-4-5 8/20μs WAVEFORM

FREQUENCY RANGE:

800MHz TO 2.3GHz @ 1.1:1VSWR

700MHz TO 2.5GHz @ 1.2:1VSWR

INSERTION LOSS:

≤0.1dB

CONTINUOUS POWER:

500W @ 85°C

750W @ 40°C

1kW @ 20°C

(@900MHz)

LET THROUGH VOLTAGE:

≤±3 VOLTS FOR 3kA @ 8/20μs WAVEFORM

THROUGHPUT ENERGY:

≤0.5μJ FOR 3kA @ 8/20μs WAVEFORM

VIBRATION:

1G @ 5Hz TO 100Hz

TEMPERATURE:

-40°C TO +85°C STORAGE/OPERATING

ENVIRONMENTAL:

MEETS BELLCORE #TA-NWT-000487


PROCEDURE 4.11, WIND DRIVEN (120MPH)

RAIN INTRUSION TEST.

MEETS IEC 60529 IP65.

CUSTOMER APPROVAL: _____ DATE: _____

ALL DIMENSIONS SHOWN ABOVE ARE FOR REFERENCE ONLY.

DRAFTER R. SWART	DATE 07/31/03	 P.O. BOX 9000 MINDEN, NV 89423 TEL: 775-782-2511 FAX: 775-782-4476 DWG NO/PART NO/DESCRIPTION DSXL-D-ME CUSTOMER PRINT	
MECH ENGINEER R. DUNNING	DATE 08/01/03		
ELEC ENGINEER J. JONES	DATE 07/31/03		
MARKETING P. HEEREN	DATE 08/01/03		
QUALITY DEPT L. JACQUES	DATE 08/01/03		
CAGE CODE 61114	FILE NAME -C1	SCALE 1/1	SHEET 1 OF 1