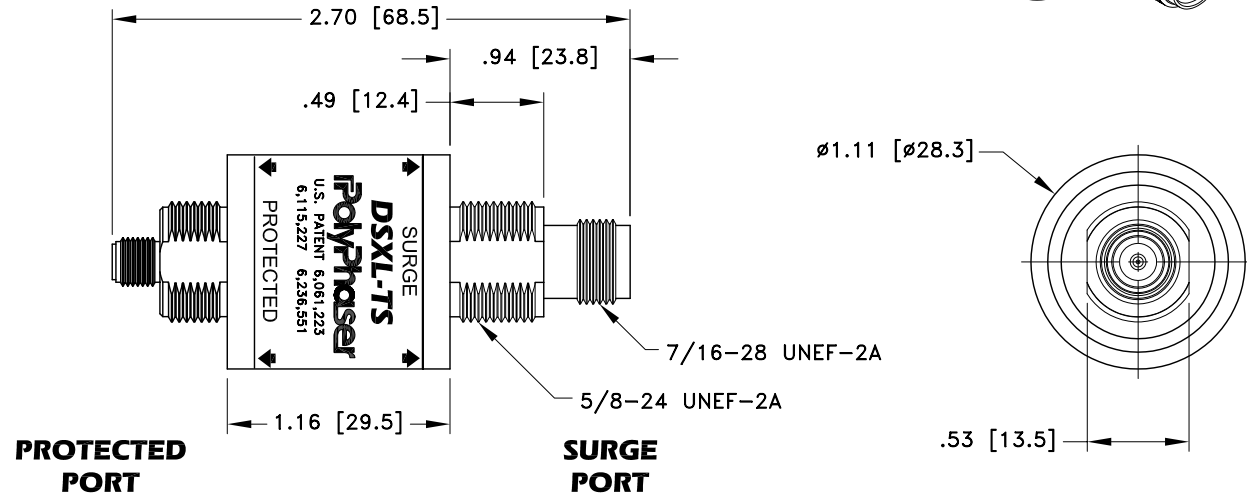
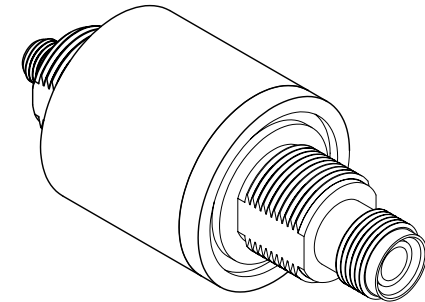
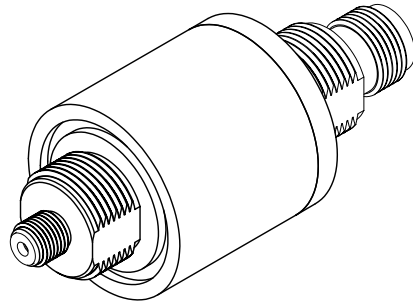


ALL DESIGN, OPERATIVE AND PROCESS DATA PERTAINING TO THE ARTICLE SHOWN ON THIS SHEET IS THE PROPERTY OF POLYPHASER CORPORATION. THE INFORMATION IS NOT TO BE COPIED, REPRODUCED, REVEALED TO OR APPROPRIATED BY OTHERS WITHOUT THE EXPRESS WRITTEN CONSENT OF POLYPHASER CORPORATION.

REVISIONS				
REV LTR	DATE	ENG	MKTG	Q.A.



MAXIMUM CHARACTERISTICS

APPLICATION:

BULKHEAD MOUNT
WEATHERPROOF WHEN INSTALLED

SURGE:

18kA IEC 1000-4-5 8/20 μ s WAVEFORM

FREQUENCY RANGE:

800MHz TO 2.3GHz
(700MHz TO 2.7 GHz @ 1.2:1 VSWR)

VSWR:

$\leq 1.1:1$ TYPICAL

INSERTION LOSS:

≤ 0.1 dB

CONTINUOUS POWER:

300W@920MHz

LET THROUGH VOLTAGE:

$\leq \pm 3$ VOLTS FOR 3kA @ 8/20 μ s WAVEFORM

THROUGHPUT ENERGY:

$\leq 0.5\mu$ J FOR 3kA @ 8/20 μ s WAVEFORM

TEMPERATURE:

-40°C TO +85°C STORAGE/OPERATING

VIBRATION:

1G AT 5Hz TO 100Hz

ENVIRONMENTAL:

MEETS IEC 60529 IP65


MEETS BELLCORE #TA-NWT-000487

PROCEDURE 4.11, WIND DRIVEN (120MPH)

RAIN INTRUSION TEST.

CUSTOMER APPROVAL: _____ DATE: _____

ALL DIMENSIONS SHOWN ABOVE ARE FOR REFERENCE ONLY.

DRAFTER	S. HALL	DATE	04/14/03	 P.O. BOX 9000 MINDEN, NV 89423 TEL: 775-782-2511 FAX: 775-782-4476 DWG NO/PART NO/DESCRIPTION			
MECH ENGINEER	R. DUNNING	DATE	04/14/03				
ELEC ENGINEER	J. JONES	DATE	04/14/03				
MARKETING	S. DOTTER	DATE	04/15/03				
QUALITY DEPT	L. JACQUES	DATE	04/15/03	DSXL-TS CUSTOMER PRINT			
CAGE CODE	61114	FILE NAME	-C1	SCALE	1/1	SHEET	1 OF 1