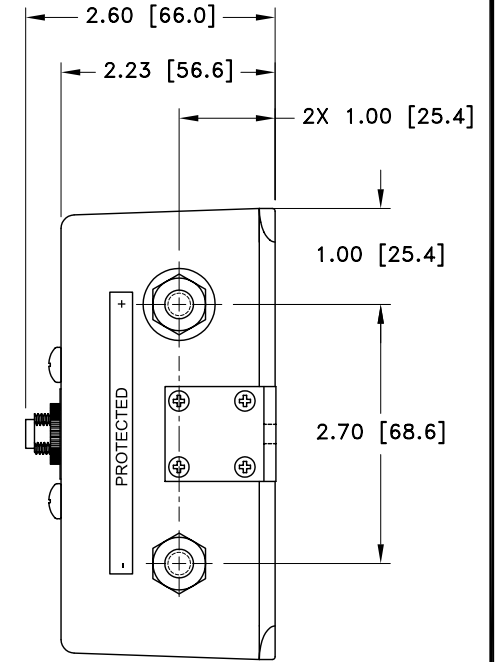
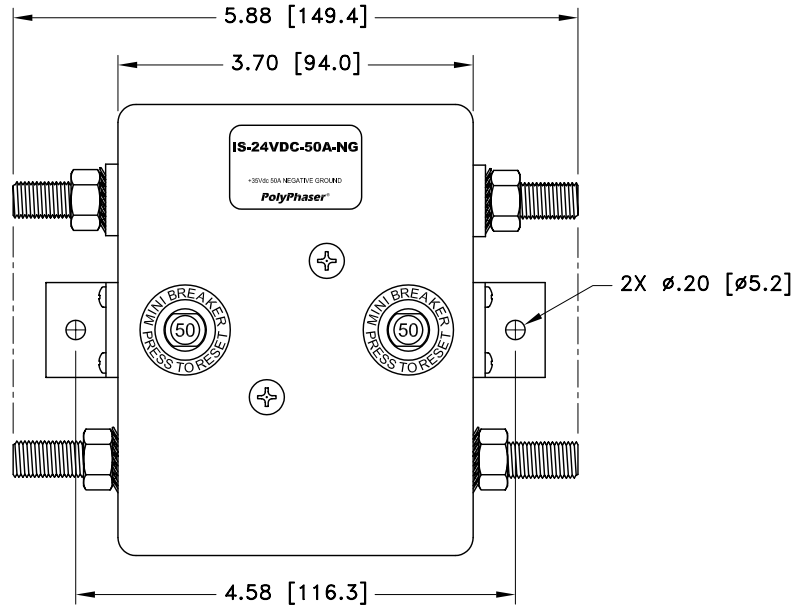
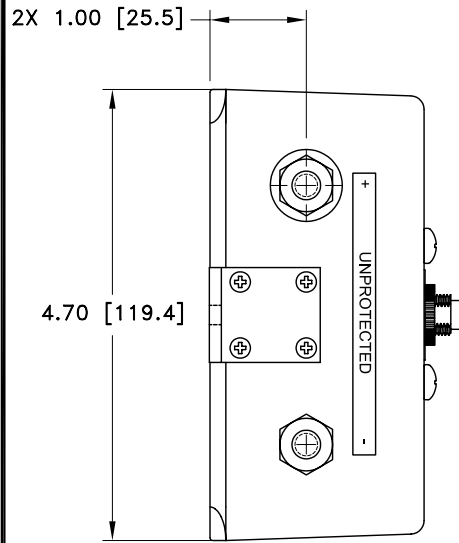


ALL DESIGN, OPERATIVE AND PROCESS DATA PERTAINING TO THE ARTICLE SHOWN ON THIS SHEET IS THE PROPERTY OF POLYPHASER CORPORATION. THE INFORMATION IS NOT TO BE COPIED, REPRODUCED, REVEALED TO OR APPROPRIATED BY OTHERS WITHOUT THE EXPRESS WRITTEN CONSENT OF POLYPHASER CORPORATION.

REVISIONS				
REV LTR	DATE	ENG	MKTG	Q.A.
A	05/13/99 ^{SH}	KCB	TGF	RM
B	10/20/99 ^{JC}	MM	PH	RM
C	05/24/02 ^{IB}	LC	PH	RM



MAXIMUM CHARACTERISTICS

SURGE PER PAIR:
 18kA IEC 1000-4-5 8/20µs WAVEFORM
TURN-ON:
 +35Vdc
TURN-ON TIME:
 <2ns FOR 2kV/ns
RESISTANCE:
 0.02 Ω
CONNECTIONS:
 3/8-24 STUDS
USER CURRENT:
 50A MAXIMUM
TEMPERATURE:
 -40°C TO 65°C

CUSTOMER APPROVAL: _____ DATE: _____

ALL DIMENSIONS SHOWN ABOVE ARE FOR REFERENCE ONLY.

DRAFTER J. CALLISTER	DATE 02/22/96	PolyPhaser® P.O. BOX 9000, MINDEN, NV 89423-9000 (775) 782-2511 FAX (775) 782-4476 DWG NO/PART NO/DESCRIPTION IS-24VDC-50A-NG CUSTOMER PRINT			
MECH ENGINEER O. AKDAG	DATE 04/08/96				
ELEC ENGINEER K. BARTEL	DATE 04/05/96				
MARKETING - - - -	DATE - - - -				
QUALITY DEPT R. MATHEUS	DATE 04/09/96	CAGE CODE 61114	FILE NAME -C1	SCALE 1/2	SHEET 1 OF 1