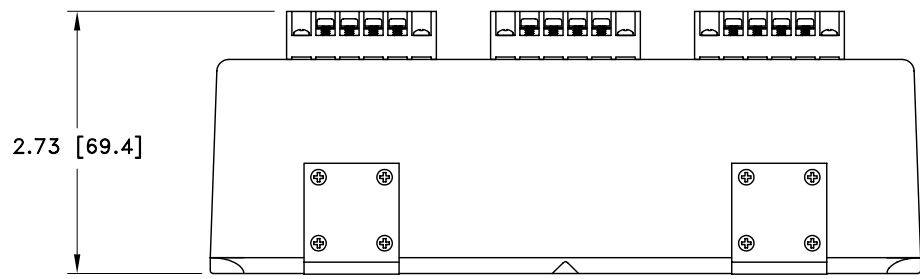
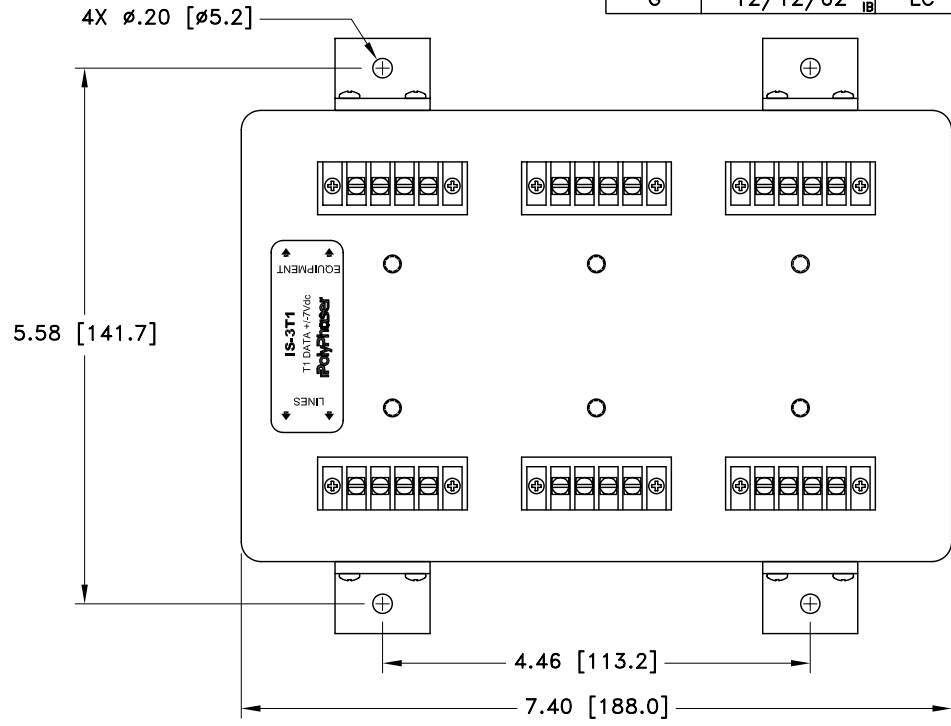
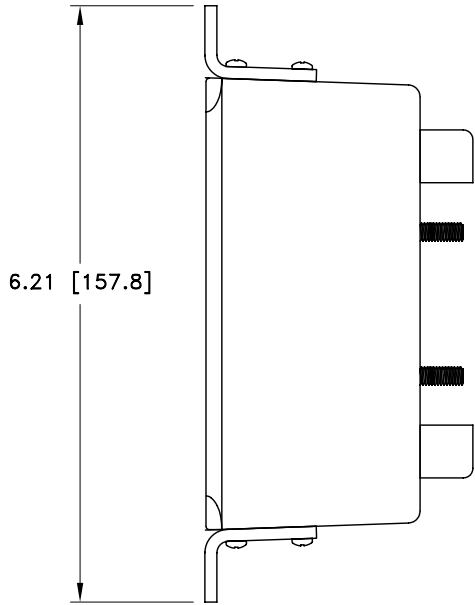



ALL DESIGN, OPERATIVE AND PROCESS DATA PERTAINING TO THE ARTICLE SHOWN ON THIS SHEET IS THE PROPERTY OF POLYPHASER CORPORATION. THE INFORMATION IS NOT TO BE COPIED, REPRODUCED, REVEALED TO OR APPROPRIATED BY OTHERS WITHOUT THE EXPRESS WRITTEN CONSENT OF POLYPHASER CORPORATION.

| REVISIONS | | | | |
|-----------|------------------------|-----|------|------|
| REV LTR | DATE | ENG | MKTG | Q.A. |
| E | 12/21/99 ^{SH} | M.M | P.H | R.M |
| F | 01/17/01 ^{IB} | KCB | PH | RM |
| G | 12/12/02 ^{IB} | LC | PH | LJ |



| MAXIMUM CHARACTERISTICS | |
|---------------------------|------------------------------------------|
| APPLICATION: | T1 DATA |
| SURGE: | 36kA ANSI C62.1 8/20 WAVEFORM 138 JOULES |
| TURN-ON: | ±7Vdc @ ±5% |
| SERIES RESISTANCE: | 1Ω |
| CAPACITANCE REF. TO GND.: | 30pF |
| MAX ENERGY: | 425J |
| LET THROUGH: | 17Vp TYPICAL |
| BANDWIDTH: | 120MHz |

CUSTOMER APPROVAL: _____ DATE: _____
 ALL DIMENSIONS SHOWN ABOVE ARE FOR REFERENCE ONLY.

| | | | | | |
|----------------------------|------------------|-----------------------------------------------------------------------------------------------------------------------------------------------------------------------------------------|------------------|--------------|-----------------|
| DRAFTER M. JOHNSON | DATE 08/16/94 |  P.O. BOX 9000 MINDEN, NY 89423 TEL: 775-782-2511 FAX: 775-782-4476 IS-3T1 CUSTOMER PRINT | | | |
| MECH ENGINEER ----- | DATE ----- | | | | |
| ELEC ENGINEER J. JONES | DATE 08/16/94 | | | | |
| MARKETING ----- | DATE ----- | | | | |
| QUALITY DEPT R. MATHEUS | DATE 08/16/94 | CAGE CODE 61114 | FILE NAME -C1 | SCALE 1/2 | SHEET 1 OF 2 |