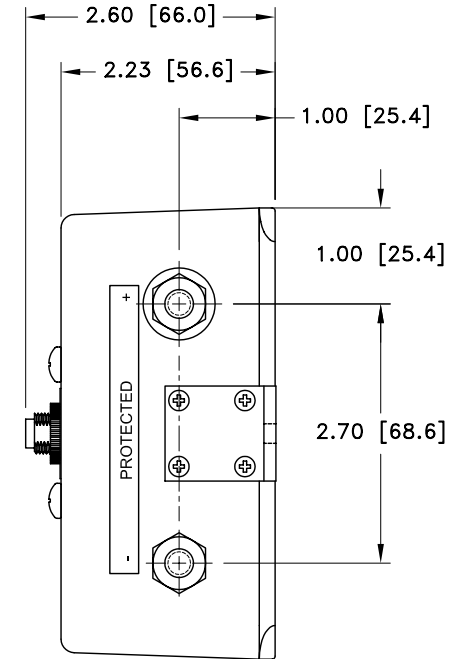
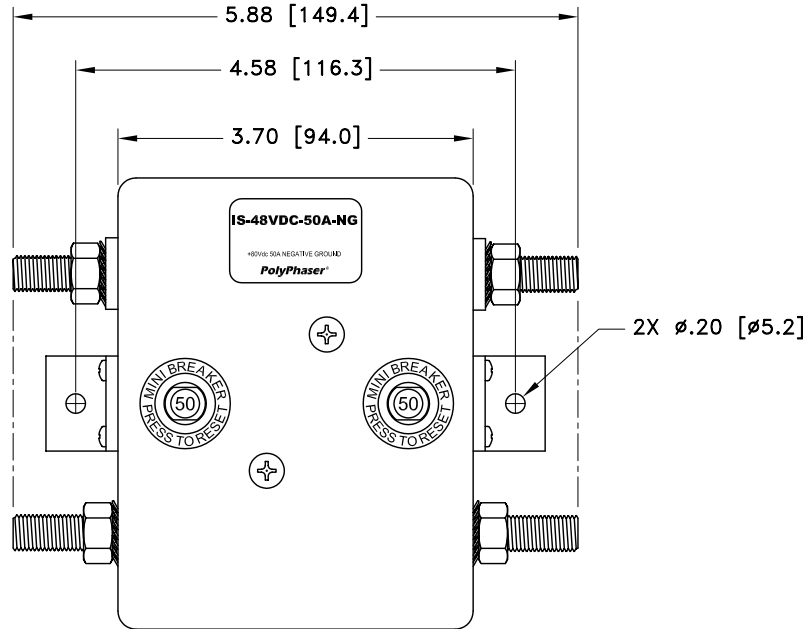
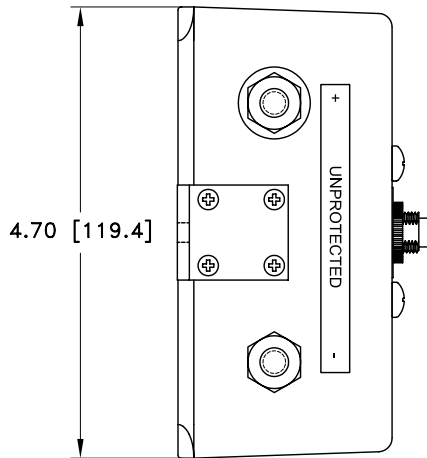


ALL DESIGN, OPERATIVE AND PROCESS DATA PERTAINING TO THE ARTICLE SHOWN ON THIS SHEET IS THE PROPERTY OF POLYPHASER CORPORATION. THE INFORMATION IS NOT TO BE COPIED, REPRODUCED, REVEALED TO OR APPROPRIATED BY OTHERS WITHOUT THE EXPRESS WRITTEN CONSENT OF POLYPHASER CORPORATION.

REVISIONS

REV LTR	DATE	ENG	MKTG	Q.A.
A	03/06/96	--	--	--
B	05/22/96	TK	--	RM
C	10/21/99 _{JC}	MM	PH	RM
D	05/21/02 _{IB}	LC	PH	RM



MAXIMUM CHARACTERISTICS

SURGE PER PAIR:
 18kA IEC 1000-4-5 8/20µs WAVEFORM
 TURN-ON:
 +80Vdc
 TURN-ON TIME:
 <2ns FOR 2kV/ns
 RESISTANCE:
 0.02 Ω
 CONNECTIONS:
 3/8-24 STUDS
 USER CURRENT:
 50A MAXIMUM
 TEMPERATURE:
 -40°C TO 65°C

CUSTOMER APPROVAL: _____ DATE: _____

ALL DIMENSIONS SHOWN ABOVE ARE FOR REFERENCE ONLY.

DRAFTER D. SCHARMANN	DATE 03/24/92	PolyPhaser® P.O. BOX 9000, MINDEN, NV 89423-9000 (775) 782-2511 FAX (775) 782-4476 DWG NO/PART NO/DESCRIPTION IS-48VDC-50A-NG CUSTOMER PRINT			
MECH ENGINEER -----	DATE -----				
ELEC ENGINEER J. JONES	DATE 03/24/92				
MARKETING -----	DATE -----				
QUALITY DEPT N. JOHN	DATE 03/24/92	CAGE CODE 61114	FILE NAME -C1	SCALE 1/2	SHEET 1 OF 1