

ALL DESIGN, OPERATIVE AND PROCESS DATA PERTAINING TO THE ARTICLE SHOWN ON THIS SHEET IS THE PROPERTY OF POLYPHASER CORPORATION. THE INFORMATION IS NOT TO BE COPIED, REPRODUCED, REVEALED TO OR APPROPRIATED BY OTHERS WITHOUT THE EXPRESS WRITTEN CONSENT OF POLYPHASER CORPORATION.

MAXIMUM CHARACTERISTICS

SURGE:
50kA IEC 1000-4-5 8/20 μ s WAVEFORM 500J

TURN-ON:
600Vdc \pm 20%

TURN-ON TIME:
2.5ns FOR 2kV/ns

MAX POWER:
VHF 375W, UHF 125W

FREQUENCY RANGE:
50MHz TO 700MHz

VSWR:
 \leq 1.2:1 @ 50 TO 60MHz
 \leq 1.1:1 @ 60 TO 700MHz

INSERTION LOSS:
 \leq 0.1dB OVER FREQUENCY RANGE

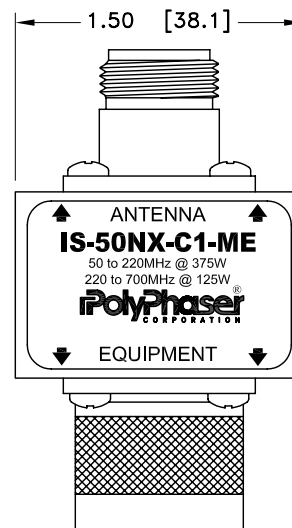
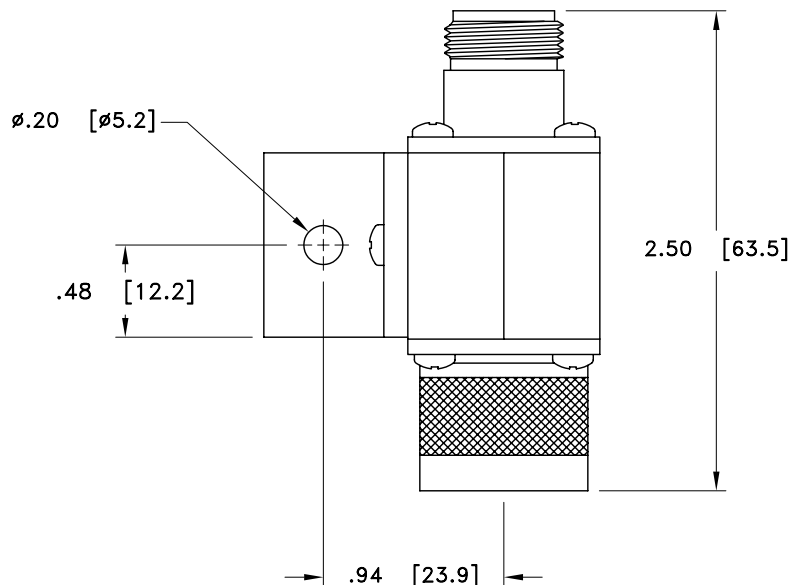
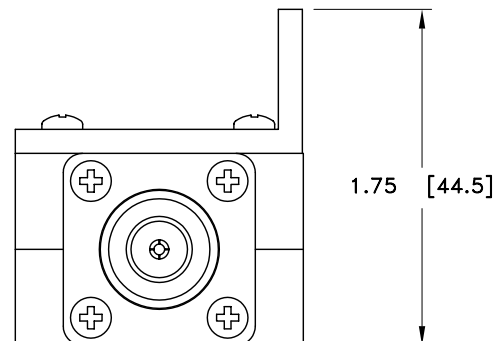
VIBRATION:
1G @ 5Hz TO 100Hz

THROUGHPUT ENERGY:
 \leq 600 μ J FOR 2kV/ns

TEMPERATURE:
-45°C TO +85°C STORAGE/OPERATING +50°C

REVISIONS

REV LTR	DATE	ENG	MKTG	Q.A.
A	01/16/01 ^{SH}	KCB	PH	RM
B	11/11/02 ^{IB}	LC	SD	LJ



CUSTOMER APPROVAL: _____ DATE: _____

ALL DIMENSIONS SHOWN ABOVE ARE FOR REFERENCE ONLY.

DRAFTER S. HALL	DATE 07/14/99	 P.O. BOX 9000, MINDEN, NV 89423-9000 (775) 782-2511 FAX (775) 782-4476 DWG NO/PART NO/DESCRIPTION IS-50NX-C1-ME CUSTOMER PRINT		
MECH ENGINEER P. SKROTZKI	DATE 04/04/00			
ELEC ENGINEER K. BARTEL	DATE 03/30/00			
MARKETING P. HEEREN	DATE 03/30/00			
QUALITY DEPT R. MATHEUS	DATE 03/31/00			
CAGE CODE 61114	FILE NAME -C1	SCALE 1/1	SHEET 1 OF 1	