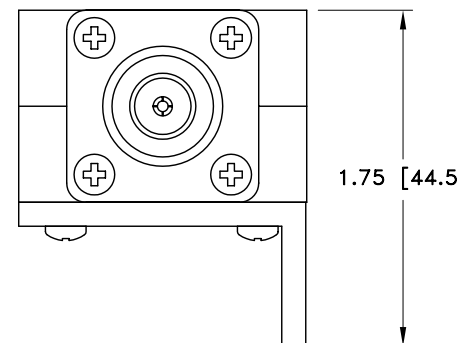
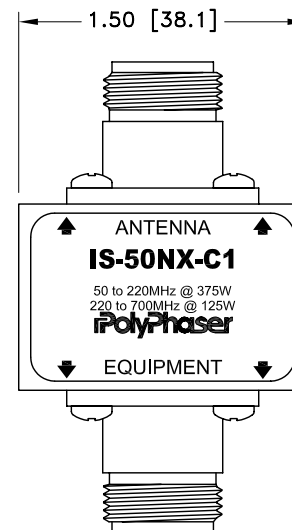
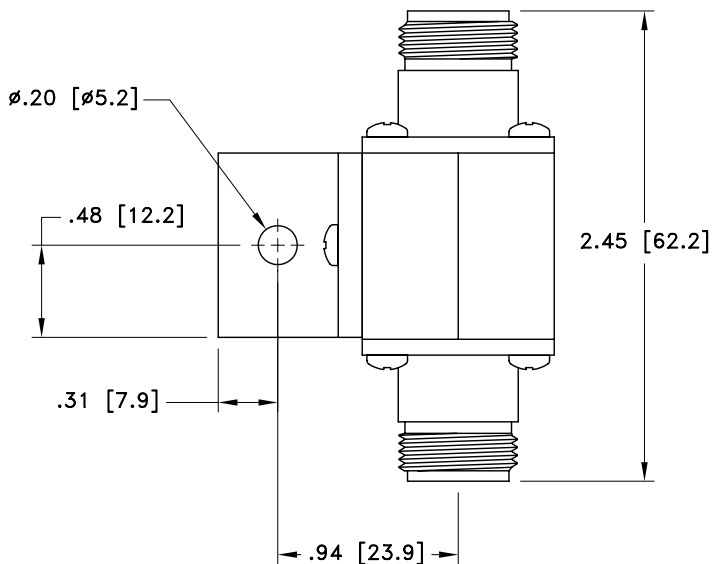


ALL DESIGN, OPERATIVE AND PROCESS DATA PERTAINING TO THE ARTICLE SHOWN ON THIS SHEET IS THE PROPERTY OF POLYPHASER CORPORATION. THE INFORMATION IS NOT TO BE COPIED, REPRODUCED, REVEALED TO OR APPROPRIATED BY OTHERS WITHOUT THE EXPRESS WRITTEN CONSENT OF POLYPHASER CORPORATION.

REVISIONS

REV LTR	DATE	ENG	MKTG	Q.A.
A	07/13/99 ^{SH}	M.M	T.M	R.M
B	01/15/01 ^{SH}	KCB	PH	RM
C	12/09/02 ^{SH}	LC	SD	LJ



MAXIMUM CHARACTERISTICS

SURGE:
50kA IEC 1000-4-5 8/20 μ s WAVEFORM 500 JOULES

TURN-ON:
600Vdc \pm 20%

TURN-ON TIME:
2.5ns FOR 2kV/ns

FREQUENCY RANGE:
50MHz TO 700MHz

VSWR:
 \leq 1.2:1 50 TO 60MHz
 \leq 1.1:1 60 TO 700MHz

INSERTION LOSS:
 \leq 0.1dB OVER FREQUENCY RANGE


MAX POWER:
VHF 375W, UHF 125W

THROUGHPUT ENERGY:
 \leq 600 μ J

TEMPERATURE:
-45°C + 85°C STORAGE/OPERATING +50°C

CUSTOMER APPROVAL: _____ DATE: _____

ALL DIMENSIONS SHOWN ABOVE ARE FOR REFERENCE ONLY.

DRAFTER M. WALSER	DATE 06/30/94	 P.O. BOX 9000 MINDEN, NY 89423 TEL: 775-782-2511 FAX: 775-782-4476 IS-50NX-C1 CUSTOMER PRINT			
MECH ENGINEER -	DATE -				
ELEC ENGINEER J. JONES	DATE 06/30/94				
MARKETING -	DATE -				
QUALITY DEPT J. FILBIN	DATE 06/30/94	CAGE CODE 61114	FILE NAME -C1	SCALE 1/1	SHEET 1 OF 1