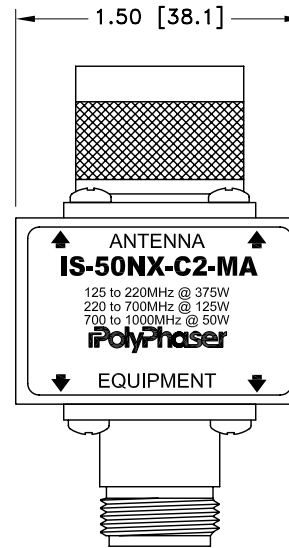
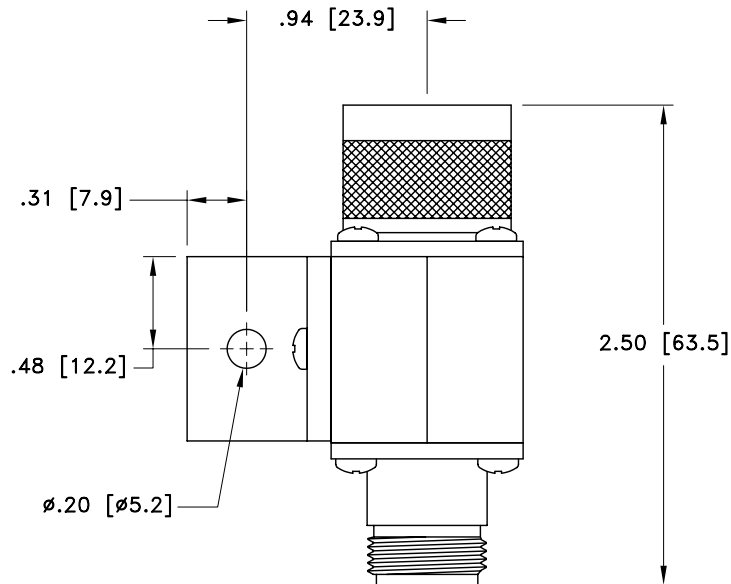
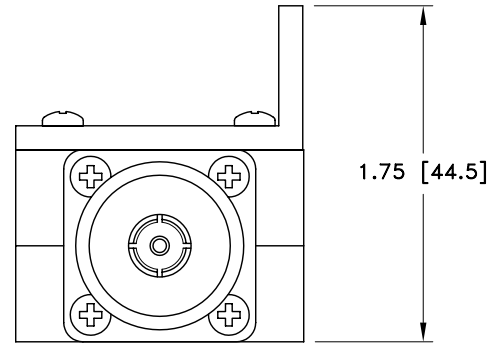


ALL DESIGN, OPERATIVE AND PROCESS DATA PERTAINING TO THE ARTICLE SHOWN ON THIS SHEET IS THE PROPERTY OF POLYPHASER CORPORATION. THE INFORMATION IS NOT TO BE COPIED, REPRODUCED, REVEALED TO OR APPROPRIATED BY OTHERS WITHOUT THE EXPRESS WRITTEN CONSENT OF POLYPHASER CORPORATION.

REVISIONS

REV LTR	DATE	ENG	MKTG	Q.A.
B	04/03/98 <sup>JCG</sup>	KCB	- - -	BM
C	07/21/99 <sup>SH</sup>	M.M	R.J	J.B
D	01/16/01 <sup>SH</sup>	KCB	PH	RM
E	12/18/02 <sup>SH</sup>	LC	PH	LJ




MAXIMUM CHARACTERISTICS

SURGE:  
50kA IEC 1000-4-5 8/20 $\mu$ s WAVEFORM 500 JOULES  
TURN ON:  
600Vdc  $\pm$ 20%  
TURN ON TIME:  
2.5ns FOR 2kV/ns  
FREQUENCY RANGE:  
125MHz TO 1GHz  
VSWR:  
 $\leq$ 1.1:1 OVER FREQUENCY RANGE  
INSERTION LOSS:  
 $\leq$ 0.1dB OVER FREQUENCY RANGE  
TEMPERATURE:  
-45°C TO +85°C STORAGE/OPERATING +50°C

CUSTOMER APPROVAL: \_\_\_\_\_ DATE: \_\_\_\_\_

ALL DIMENSIONS SHOWN ABOVE ARE FOR REFERENCE ONLY.

DRAFTER R. DUNNING	DATE 05/24/94	 P.O. BOX 9000 MINDEN, NV 89423 TEL: 775-782-2511 FAX: 775-782-4476 IS-50NX-C2-MA CUSTOMER PRINT			
MECH ENGINEER - - - -	DATE - - - -				
ELEC ENGINEER J. JONES	DATE 05/24/94				
MARKETING - - - -	DATE - - - -				
QUALITY DEPT R. MATHEUS	DATE 05/24/94	CAGE CODE 61114	FILE NAME -C1	SCALE 1/1	SHEET 1 OF 1