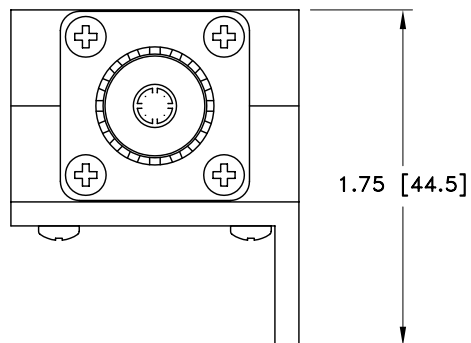
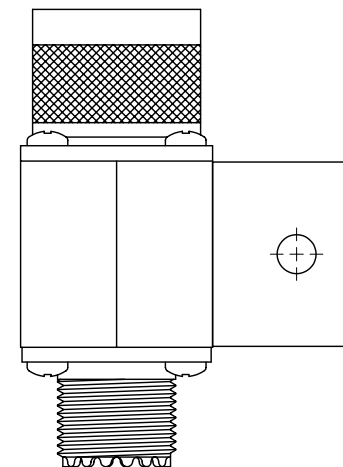
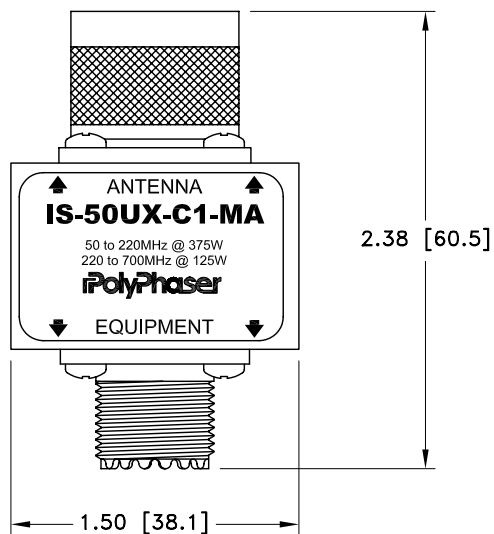
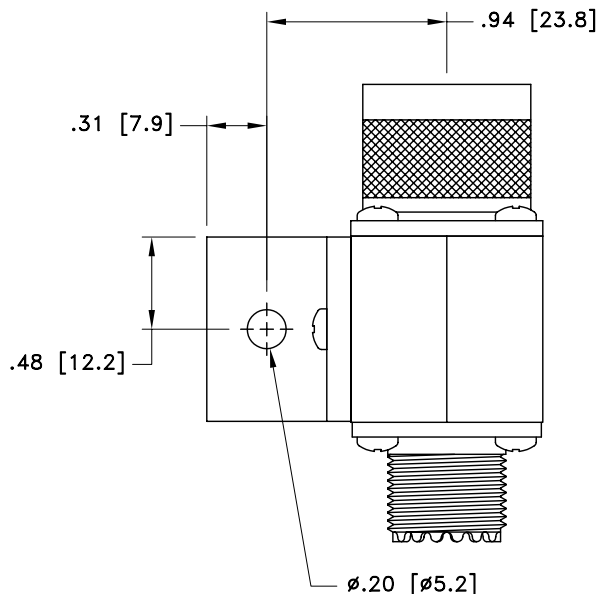


ALL DESIGN, OPERATIVE AND PROCESS DATA PERTAINING TO THE ARTICLE SHOWN ON THIS SHEET IS THE PROPERTY OF POLYPHASER CORPORATION. THE INFORMATION IS NOT TO BE COPIED, REPRODUCED, REVEALED TO OR APPROPRIATED BY OTHERS WITHOUT THE EXPRESS WRITTEN CONSENT OF POLYPHASER CORPORATION.

REVISIONS				
REV LTR	DATE	ENG	MKTG	Q.A.
A	07/20/99 ^{SH}	M.M	T.M	R.M
B	01/16/01 ^{SH}	KCB	PH	RM
C	05/02/01 ^{IB}	RCD	PH	RM
D	11/18/02 ^{IB}	LC	SD	LJ



MAXIMUM CHARACTERISTICS

SURGE:
50kA IEC 1000-4-5 8/20 μ s WAVEFORM

TURN-ON:
600Vdc \pm 20%

TURN-ON TIME:
2.5ns for 2kV/ns

MAX POWER:
VHF 375W, UHF 125W

FREQUENCY RANGE:
50MHz TO 700MHz

VSWR:
 \leq 1.2:1 OVER FREQUENCY RANGE

INSERTION LOSS:
 \leq 0.1dB OVER FREQUENCY RANGE


THROUGHPUT ENERGY:
 \leq 600 μ J FOR 2kV/ns

NEMP PEAK THROUGHPUT VOLTAGE:
TYPICAL 56Vp FOR 3/250ns WAVEFORM

TEMPERATURE:
-45°C TO +85°C STORAGE/OPERATING +50°C

CUSTOMER APPROVAL: _____ DATE: _____

ALL DIMENSIONS SHOWN ABOVE ARE FOR REFERENCE ONLY.

DRAFTER M. WALSER	DATE 01/25/96	 P.O. BOX 9000 MINDEN, NV 89423 TEL: 775-782-2511 FAX: 775-782-4476 DWG NO/PART NO/DESCRIPTION IS-50UX-C1-MA CUSTOMER PRINT			
MECH ENGINEER - - - -	DATE - - - -				
ELEC ENGINEER T. KULBIEDA	DATE 05/01/96				
MARKETING - - - -	DATE - - - -				
QUALITY DEPT R. MATHEUS	DATE 05/01/96	CAGE CODE 61114	FILE NAME -C1	SCALE 1/1	SHEET 1 OF 1