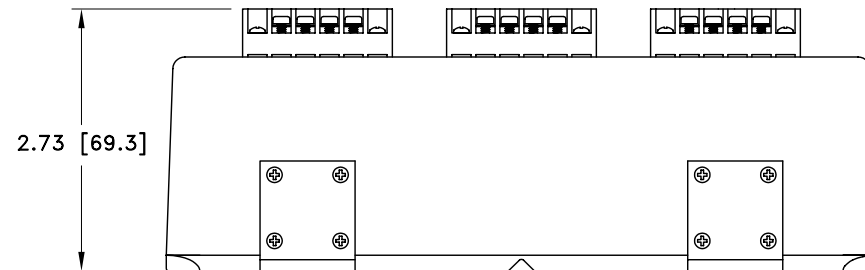
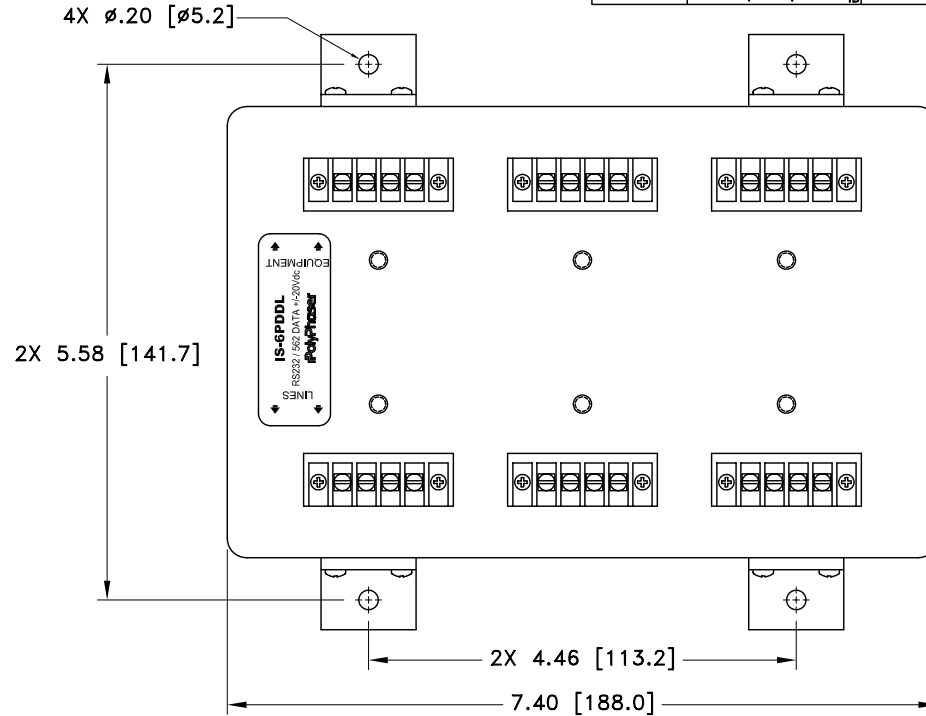
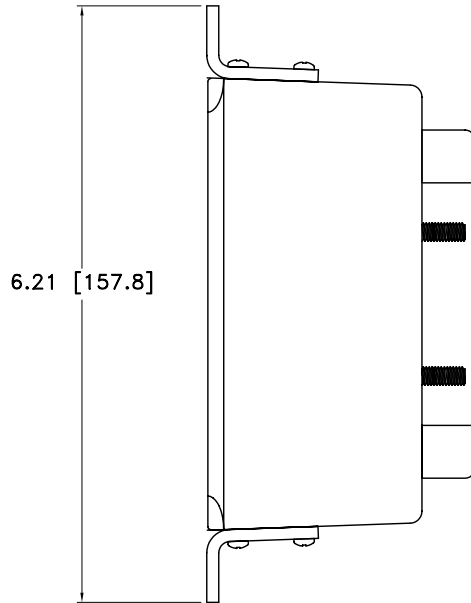


ALL DESIGN, OPERATIVE AND PROCESS DATA PERTAINING TO THE ARTICLE SHOWN ON THIS SHEET IS THE PROPERTY OF POLYPHASER CORPORATION. THE INFORMATION IS NOT TO BE COPIED, REPRODUCED, REVEALED TO OR APPROPRIATED BY OTHERS WITHOUT THE EXPRESS WRITTEN CONSENT OF POLYPHASER CORPORATION.

| REVISIONS | | | | |
|-----------|------------------------|-----|------|------|
| REV LTR | DATE | ENG | MKTG | Q.A. |
| E | 12/21/99 ^{SH} | M.M | P.H | R.M |
| F | 03/09/01 ^{JC} | KCB | PH | RM |
| G | 12/02/02 ^{IB} | LC | SD | LJ |



MAXIMUM CHARACTERISTICS

APPLICATION:
RS232/562 DATA

SURGE:
36kA ANSI C62.1 8/20 WAVEFORM 138 JOULES

TURN-ON:
 $\pm 20V_{dc}$ @ $\pm 5\%$

SERIES RESISTANCE:
1 Ω

CAPACITANCE REF. to GND.:
30pF


MAX ENERGY:
425J

LET THROUGH:
24Vp TYPICAL

BANDWIDTH:
120MHZ

CUSTOMER APPROVAL: _____ DATE: _____

ALL DIMENSIONS SHOWN ABOVE ARE FOR REFERENCE ONLY.

| | | | | | |
|------------------------------|------------------|---|------------------|--------------|-----------------|
| DRAFTER M. JOHNSON | DATE 01/18/95 |  P.O. BOX 9000 MINDEN, NY 89423 TEL: 775-782-2511 FAX: 775-782-4476 DWG NO/PART NO/DESCRIPTION IS-6PDDL CUSTOMER PRINT | | | |
| MECH ENGINEER ----- | DATE ----- | | | | |
| ELEC ENGINEER T. KULBIEDA | DATE 01/18/95 | | | | |
| MARKETING ----- | DATE ----- | | | | |
| QUALITY DEPT R. MATHEUS | DATE 01/18/95 | CAGE CODE 61114 | FILE NAME -C1 | SCALE 1/2 | SHEET 1 OF 1 |