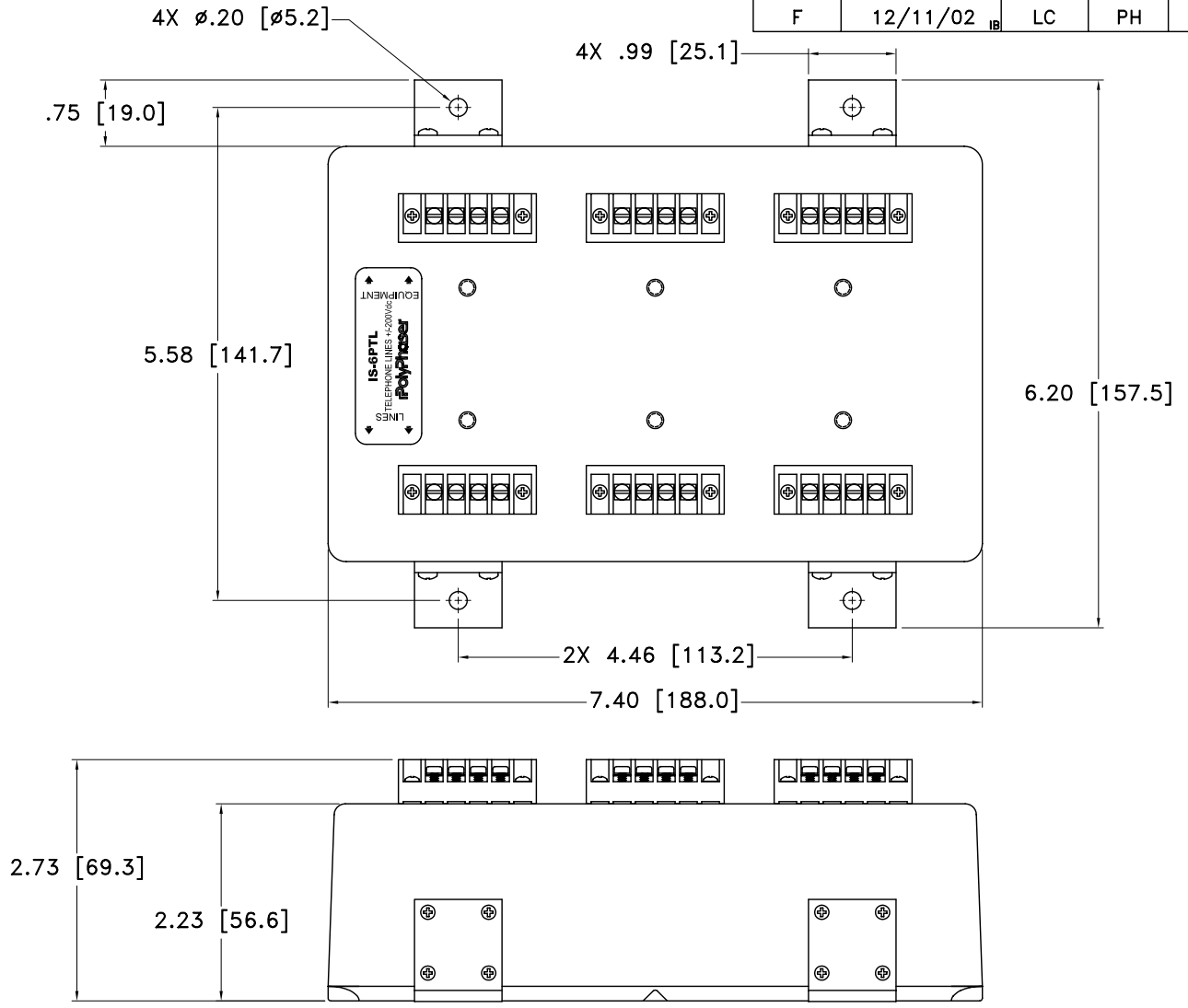
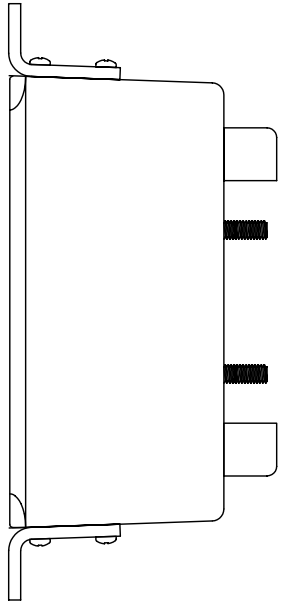



ALL DESIGN, OPERATIVE AND PROCESS DATA PERTAINING TO THE ARTICLE SHOWN ON THIS SHEET IS THE PROPERTY OF POLYPHASER CORPORATION. THE INFORMATION IS NOT TO BE COPIED, REPRODUCED, REVEALED TO OR APPROPRIATED BY OTHERS WITHOUT THE EXPRESS WRITTEN CONSENT OF POLYPHASER CORPORATION.

REVISIONS				
REV LTR	DATE	ENG	MKTG	Q.A.
E	01/17/01	LC	PH	RM
F	12/11/02	LC	PH	LJ



MAXIMUM CHARACTERISTICS	
APPLICATION:	TELCO TRUNKS
SURGE:	40kA ANSI C62.1 8/20 WAVEFORM 138 JOULES
TURN-ON:	±200Vdc @ ±5%
SERIES RESISTANCE:	20 Ω @ 1%
CAPACITANCE REF. to GND.:	2.4nF
MAX ENERGY:	550J
LET THROUGH:	300Vp TYPICAL
BANDWIDTH:	AUDIO

CUSTOMER APPROVAL: _____ DATE: _____
 ALL DIMENSIONS SHOWN ABOVE ARE FOR REFERENCE ONLY.

DRAFTER M. WALSER	DATE 08/16/94	 P.O. BOX 9000 MINDEN, NY 89423 TEL: 775-782-2511 FAX: 775-782-4476 IS-6PTL CUSTOMER PRINT			
MECH ENGINEER -----	DATE -----				
ELEC ENGINEER J. JONES	DATE 08/19/94				
MARKETING -----	DATE -----				
QUALITY DEPT R. MATHEUS	DATE 08/16/94	CAGE CODE 61114	FILE NAME -C1	SCALE 1/2	SHEET 1 OF 1