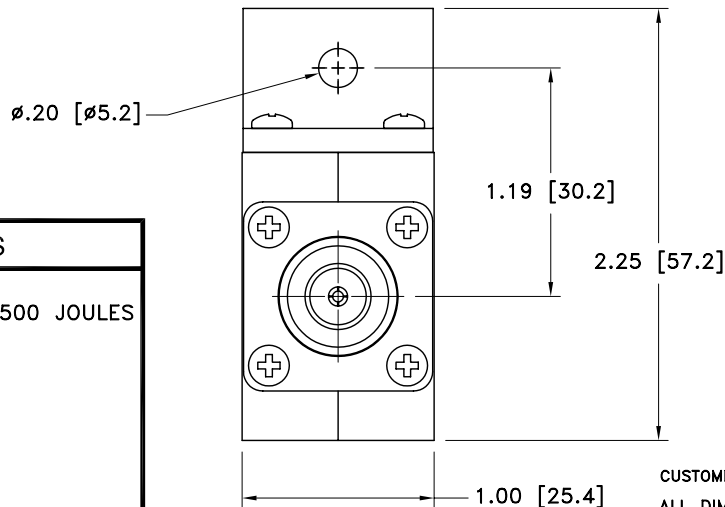
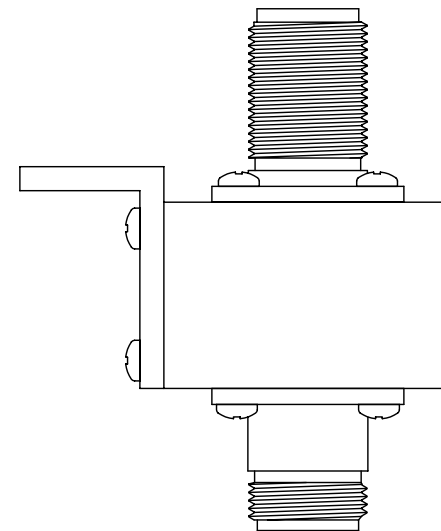
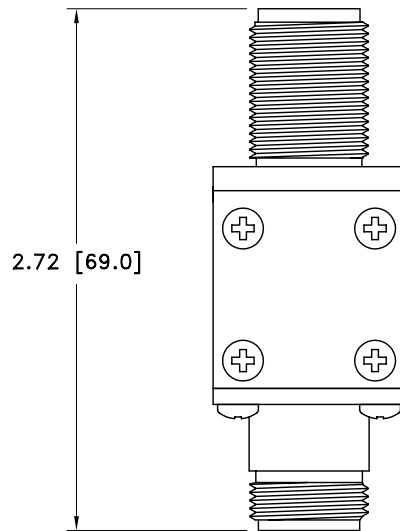
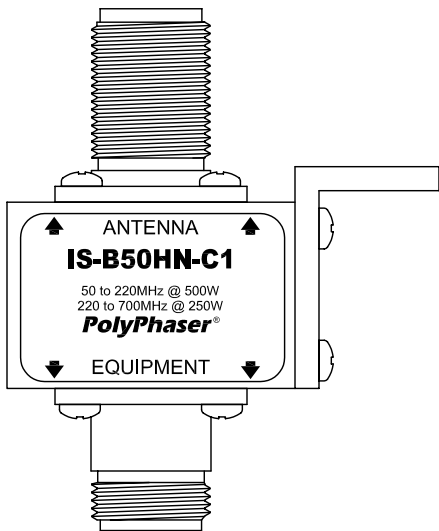


ALL DESIGN, OPERATIVE AND PROCESS DATA PERTAINING TO THE ARTICLE SHOWN ON THIS SHEET IS THE PROPERTY OF POLYPHASER CORPORATION. THE INFORMATION IS NOT TO BE COPIED, REPRODUCED, REVEALED TO OR APPROPRIATED BY OTHERS WITHOUT THE EXPRESS WRITTEN CONSENT OF POLYPHASER CORPORATION.

REVISIONS				
REV LTR	DATE	ENG	MKTG	Q.A.
A	08/27/99 ^{SH}	M.M	T.M	R.M
B	01/17/01 ^{SH}	RCD	PH	RM



CUSTOMER APPROVAL: _____ DATE: _____

ALL DIMENSIONS SHOWN ABOVE ARE FOR REFERENCE ONLY.

MAXIMUM CHARACTERISTICS
SURGE: 50kA IEC 1000-4-5 8/20μs WAVEFORM 500 JOULES
TURN-ON: +1200Vdc±20%
TURN-ON TIME: ≤7ns FOR 2kV/ns
FREQUENCY RANGE: 50MHz TO 700MHz
VSWR: ≤1.1:1 OVER FREQUENCY RANGE
INSERTION LOSS: ≤0.1dB OVER FREQUENCY RANGE
MAX POWER: VHF 500W, UHF 250W
TEMPERATURE: -55°C TO +125°C

DRAFTER C. GASPARINI	DATE 07/10/96	PolyPhaser® P.O. BOX 9000, MINDEN, NV 89423-9000 (775) 782-2511 FAX (775) 782-4476 DWG NO/PART NO/DESCRIPTION IS-B50HN-C1 CUSTOMER PRINT			
MECH ENGINEER O. AKDAG	DATE 07/11/96				
ELEC ENGINEER T. KULBIEDA	DATE 07/17/96				
MARKETING - - - -	DATE - - - -				
QUALITY DEPT R. MATHEUS	DATE 07/17/96	CAGE CODE 61114	FILE NAME -C1	SCALE 1/1	SHEET 1 OF 1