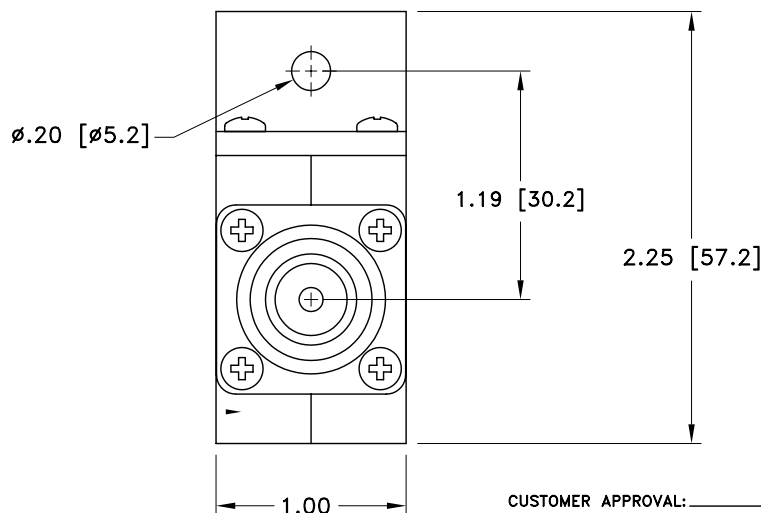
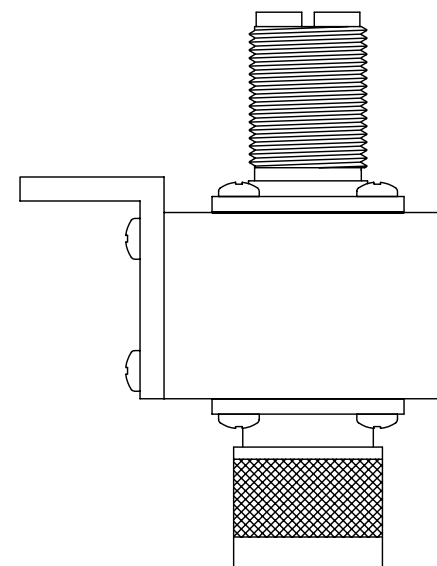
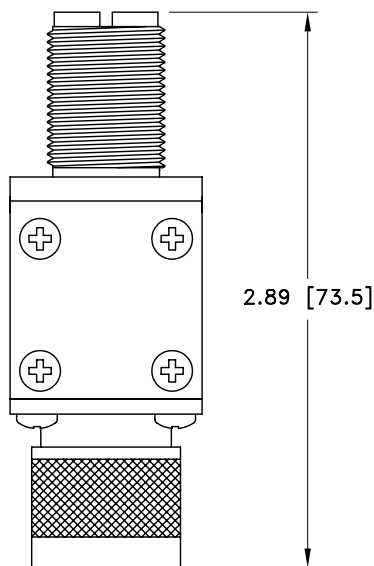
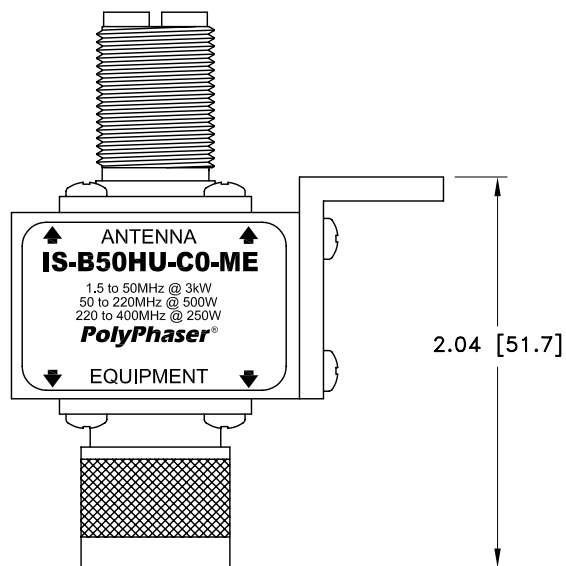


ALL DESIGN, OPERATIVE AND PROCESS DATA PERTAINING TO THE ARTICLE SHOWN ON THIS SHEET IS THE PROPERTY OF POLYPHASER CORPORATION. THE INFORMATION IS NOT TO BE COPIED, REPRODUCED, REVEALED TO OR APPROPRIATED BY OTHERS WITHOUT THE EXPRESS WRITTEN CONSENT OF POLYPHASER CORPORATION.

REVISIONS

REV LTR	DATE	ENG	MKTG	Q.A.



MAXIMUM CHARACTERISTICS

APPLICATION:
BULKHEAD MOUNT

FREQUENCY RANGE:
1.5MHz TO 400MHz

VSWR:
≤1.2:1 @ 1.5MHz TO 2MHz
≤1.1:1 @ 2MHz TO 400MHz

INSERTION LOSS:
≤0.1dB OVER FREQUENCY RANGE

THROUGHPUT ENERGY:
≤20mJ

MAX POWER:
VHF 500W, UHF 250W, HF 3kW

TURN-ON:
±1200Vdc ±20% 7ns FOR 2kV/ns

SURGE:
50kA IEC 1000-4-5 8/20μs WAVEFORM 500 JOULES.

VIBRATION:
1G AT 5Hz TO 100Hz

TEMPERATURE:
-45°C TO +85°C STORAGE/OPERATING +50°C

CUSTOMER APPROVAL: _____ DATE: _____

ALL DIMENSIONS SHOWN ABOVE ARE FOR REFERENCE ONLY.

DRAFTER S. HALL	DATE 08/14/01	PolyPhaser® <small>P.O. BOX 9000, MINDEN, NV 89423-9000 (775) 782-2511 FAX (775) 782-4476</small> IS-B50HU-C0-ME CUSTOMER PRINT	
MECH ENGINEER R. DUNNING	DATE 08/21/01		
ELEC ENGINEER K. BARTEL	DATE 08/20/01		
MARKETING P. HEEREN	DATE 08/20/01		
QUALITY DEPT R. MATHEUS	DATE 08/23/01		
CAGE CODE 61114	FILE NAME -C1	SCALE 1/1	SHEET 1 OF 1