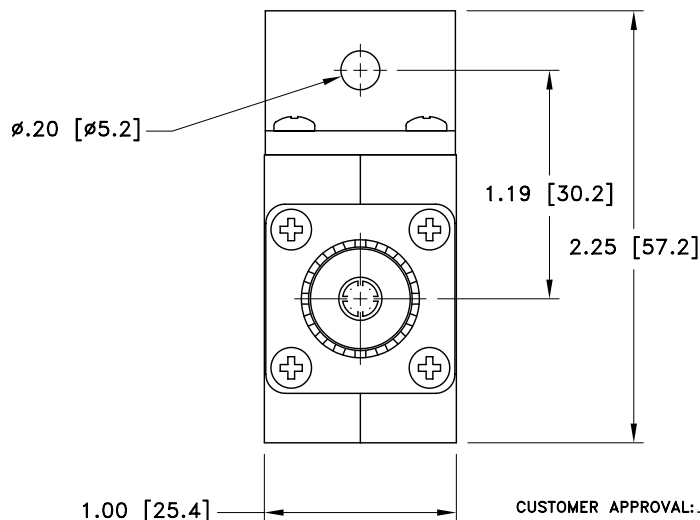
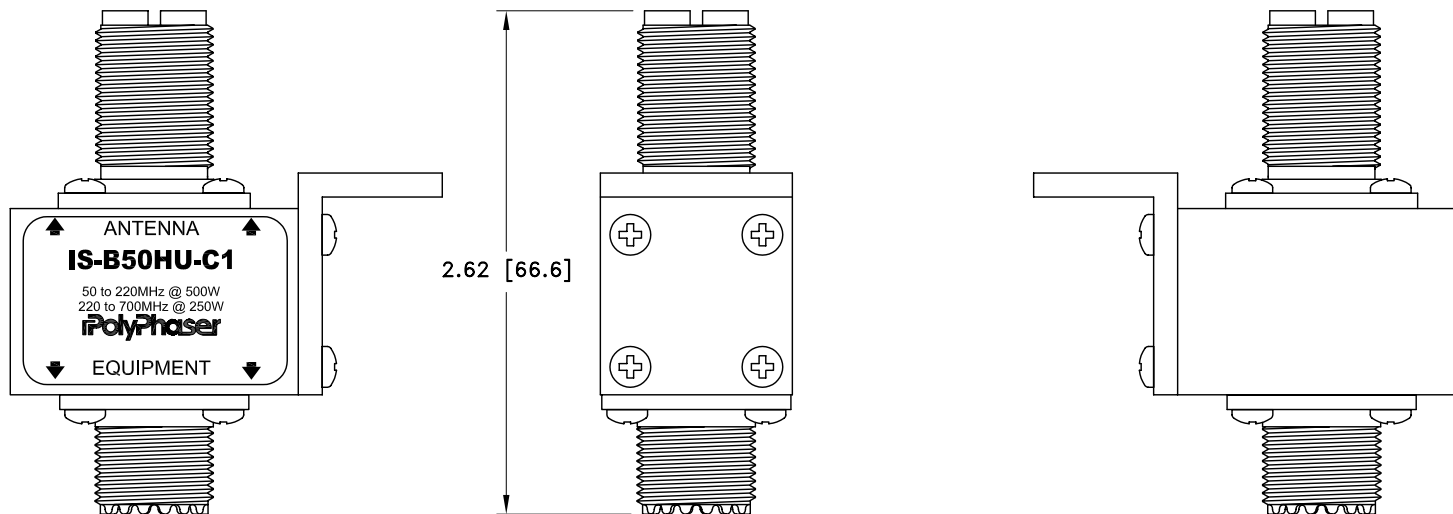


ALL DESIGN, OPERATIVE AND PROCESS DATA PERTAINING TO THE ARTICLE SHOWN ON THIS SHEET IS THE PROPERTY OF POLYPHASER CORPORATION. THE INFORMATION IS NOT TO BE COPIED, REPRODUCED, REVEALED TO OR APPROPRIATED BY OTHERS WITHOUT THE EXPRESS WRITTEN CONSENT OF POLYPHASER CORPORATION.


REVISIONS				
REV LTR	DATE	ENG	MKTG	Q.A.
A	05/03/01 ^{IB}	KCB	PH	RM
B	05/03/01 ^{IB}	JJ	PH	RM
C	11/19/02 ^{IB}	LC	SD	LJ



CUSTOMER APPROVAL: _____ DATE: _____

ALL DIMENSIONS SHOWN ABOVE ARE FOR REFERENCE ONLY.

MAXIMUM CHARACTERISTICS
APPLICATION: BULKHEAD MOUNT
FREQUENCY RANGE: 50MHz TO 700MHz
SURGE: 50kA IEC 1000-4-5 8/20μs WAVEFORM 500J
TURN-ON: 1200Vdc ±20% 7ns FOR 2kV/ns
VSWR: ≤1.2:1 @ 50MHz TO 700MHz
INSERTION LOSS: ≤0.1dB OVER FREQUENCY RANGE
MAX POWER: VHF 500W, UHF 250W
THROUGHPUT ENERGY: ≤1mJ TYPICAL
OPERATING TEMPERATURE: +50°C
STORAGE TEMPERATURE: -45°C TO +85°C
RELATIVE HUMIDITY: 90% AT 40°C
VIBRATION: 1G AT 5Hz TO 100Hz

DRAFTER S. HALL	DATE 09/02/99	 P.O. BOX 9000 MINDEN, NV 89423 TEL: 775-782-2511 FAX: 775-782-4476 DWG NO/PART NO/DESCRIPTION IS-B50HU-C1 CUSTOMER PRINT			
MECH ENGINEER O. AKDAG	DATE 03/31/00				
ELEC ENGINEER K. BARTEL	DATE 03/23/00				
MARKETING P. HEEREN	DATE 03/31/00				
QUALITY DEPT R. MATHEUS	DATE 03/24/00	CAGE CODE 61114	FILE NAME -C1	SCALE 1/1	SHEET 1 OF 1