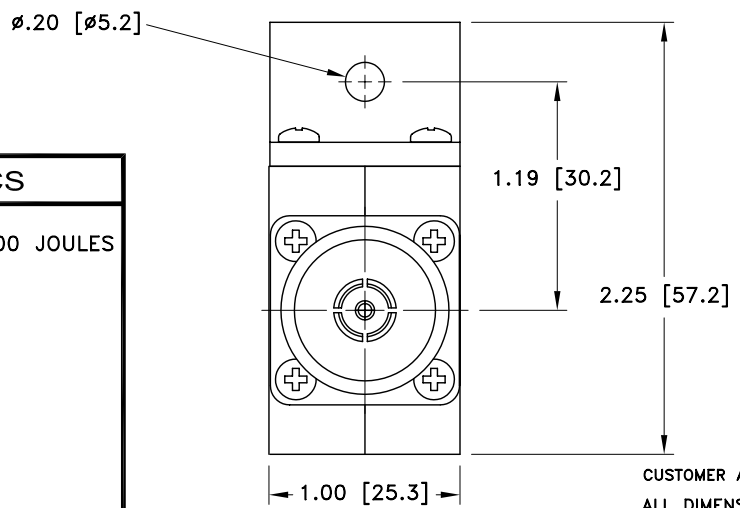
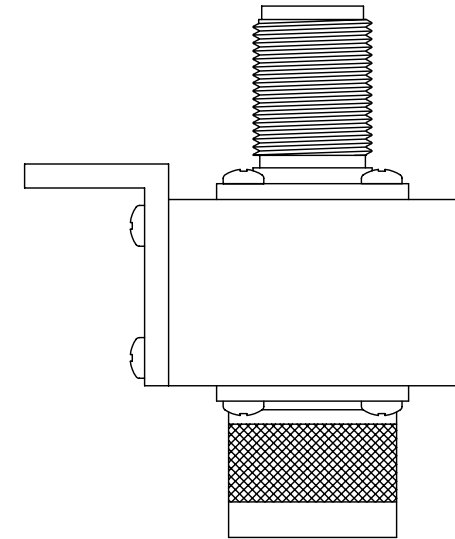
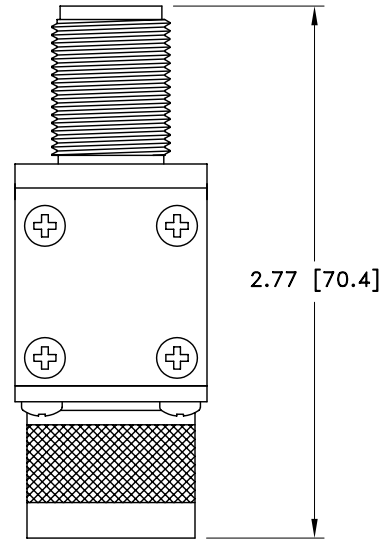
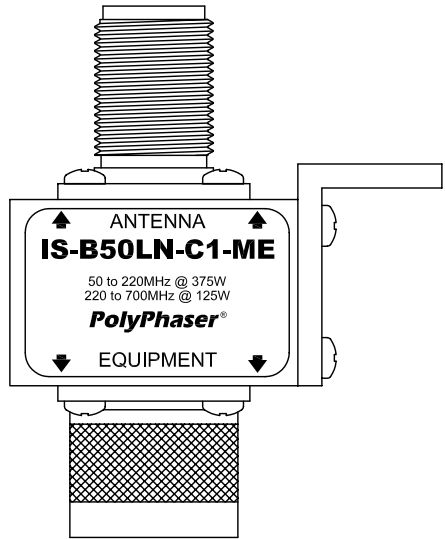


ALL DESIGN, OPERATIVE AND PROCESS DATA PERTAINING TO THE ARTICLE SHOWN ON THIS SHEET IS THE PROPERTY OF POLYPHASER CORPORATION. THE INFORMATION IS NOT TO BE COPIED, REPRODUCED, REVEALED TO OR APPROPRIATED BY OTHERS WITHOUT THE EXPRESS WRITTEN CONSENT OF POLYPHASER CORPORATION.

REVISIONS				
REV LTR	DATE	ENG	MKTG	Q.A.
B	09/27/99 ^{SH}	M.M	T.M	R.M
C	01/11/01 ^{IB}	KCB	PH	RM



CUSTOMER APPROVAL: _____ DATE: _____

ALL DIMENSIONS SHOWN ABOVE ARE FOR REFERENCE ONLY.

MAXIMUM CHARACTERISTICS	
SURGE:	50kA IEC 1000-4-5 8/20μs WAVEFORM 500 JOULES
TURN-ON:	600Vdc±20%
TURN-ON TIME:	2.5ns FOR 2kV/ns
FREQUENCY RANGE:	60MHz TO 700MHz
VSWR:	≤1.1:1 TO OVER FREQUENCY RANGE
INSERTION LOSS:	≤0.1dB OVER FREQUENCY RANGE
THROUGHPUT ENERGY:	≤600μJ
MAX POWER:	VHF 375W, UHF 125W
TEMPERATURE:	-55°C TO +125°C

DRAFTER J. CALLISTER	DATE 03/26/96	PolyPhaser® P.O. BOX 9000, MINDEN, NV 89423-9000 (775) 782-2511 FAX (775) 782-4476 DWG NO/PART NO/DESCRIPTION IS-B50LN-C1-ME CUSTOMER PRINT			
MECH ENGINEER O. AKDAG	DATE 03/26/96				
ELEC ENGINEER T. KULBIEDA	DATE 03/26/96				
MARKETING - - - -	DATE - - - -				
QUALITY DEPT R. MATHEUS	DATE 03/26/96	CAGE CODE 61114	FILE NAME -C1	SCALE 1/1	SHEET 1 OF 1