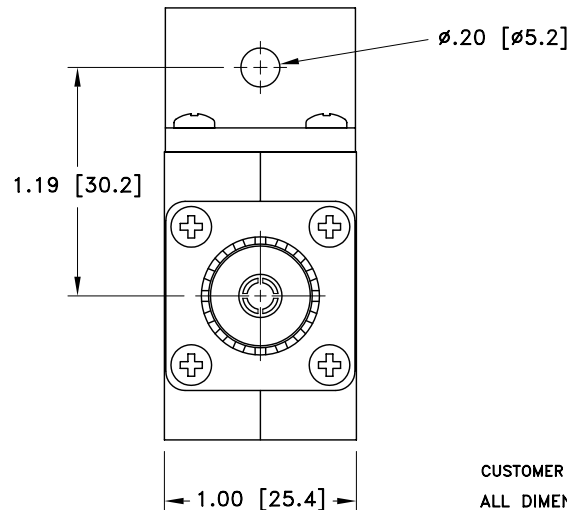
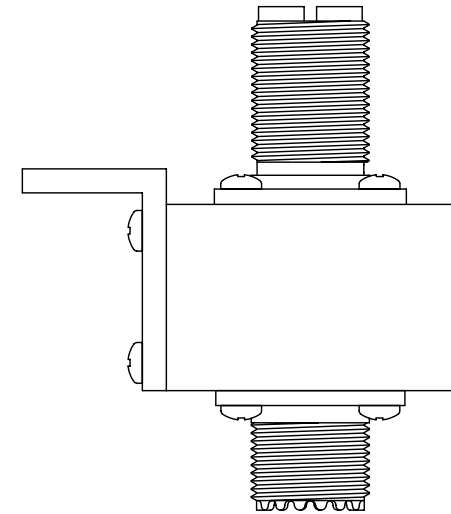
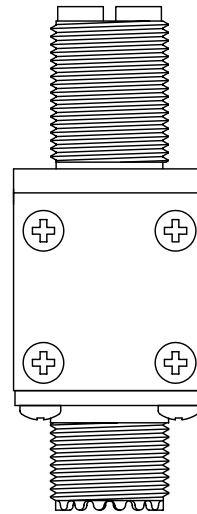
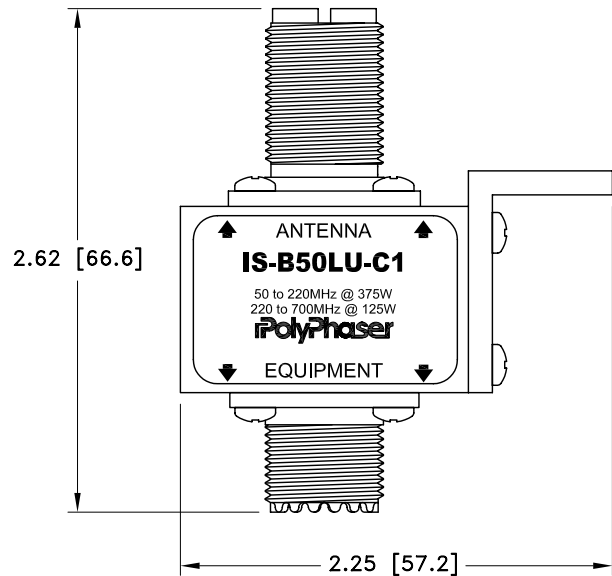


ALL DESIGN, OPERATIVE AND PROCESS DATA PERTAINING TO THE ARTICLE SHOWN ON THIS SHEET IS THE PROPERTY OF POLYPHASER CORPORATION. THE INFORMATION IS NOT TO BE COPIED, REPRODUCED, REVEALED TO OR APPROPRIATED BY OTHERS WITHOUT THE EXPRESS WRITTEN CONSENT OF POLYPHASER CORPORATION.

REVISIONS

REV LTR	DATE	ENG	MKTG	Q.A.
A	01/11/01 ^{IB}	KCB	PH	RM
B	05/03/01 ^{IB}	RCD	PH	RM
C	12/24/02 ^{SH}	LC	PH	LJ




MAXIMUM CHARACTERISTICS

APPLICATION:
 BULKHEAD MOUNT
 FREQUENCY RANGE:
 50MHz TO 700MHz
 VSWR:
 ≤1.2:1 @ 50MHz TO 700MHz
 INSERTION LOSS:
 ≤0.1dB OVER FREQUENCY RANGE
 MAX POWER:
 VHF 375W
 UHF 125W
 THROUGHPUT ENERGY:
 ≤600μJ FOR 3kA, 8/20μs WAVEFORM
 OPERATING TEMPERATURE:
 +50°C
 STORAGE TEMPERATURE:
 -45°C TO +85°C
 VIBRATION:
 1G @ 5Hz TO 100Hz

CUSTOMER APPROVAL: _____ DATE: _____

ALL DIMENSIONS SHOWN ABOVE ARE FOR REFERENCE ONLY.

DRAFTER S. HALL	DATE 07/08/99	 P.O. BOX 9000 MINDEN, NY 89423 TEL: 775-782-2511 FAX: 775-782-4476 DWG NO/PART NO/DESCRIPTION IS-B50LU-C1 CUSTOMER PRINT		
MECH ENGINEER M. MATTSON	DATE 11/05/99			
ELEC ENGINEER K. BARTEL	DATE 11/05/99			
MARKETING P. HEEREN	DATE 11/05/99			
QUALITY DEPT R. MATHEUS	DATE 11/05/99			
CAGE CODE 61114	FILE NAME -C1	SCALE 1/1	SHEET 1 OF 1	