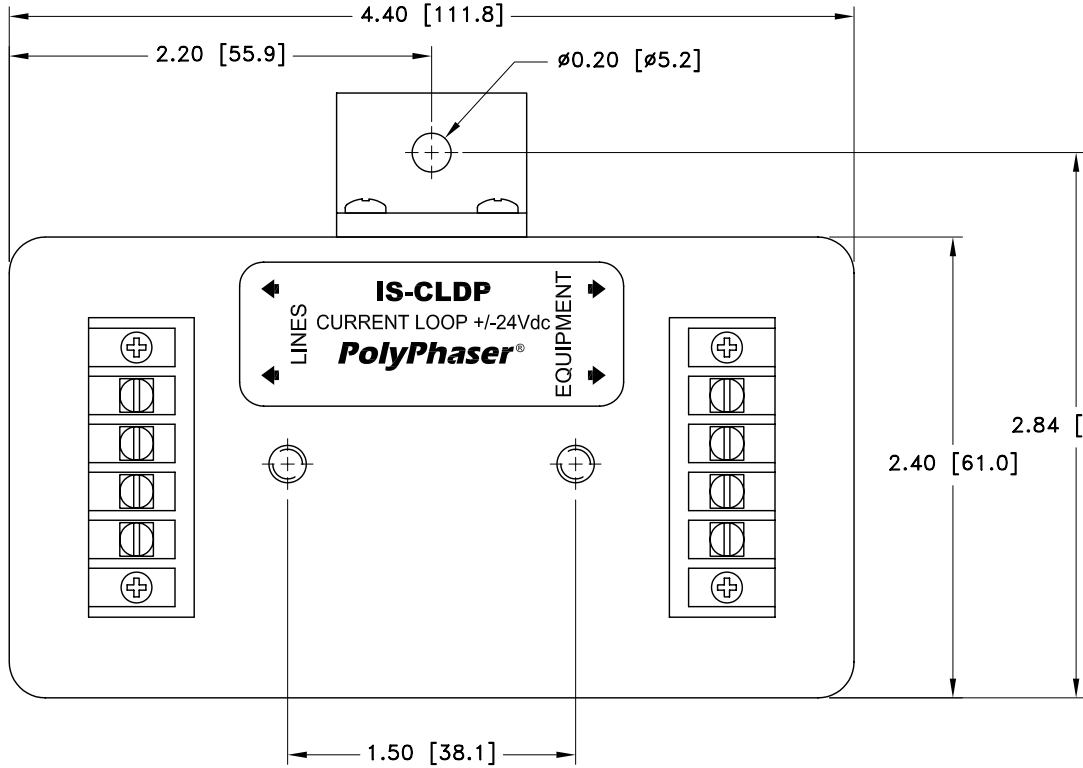
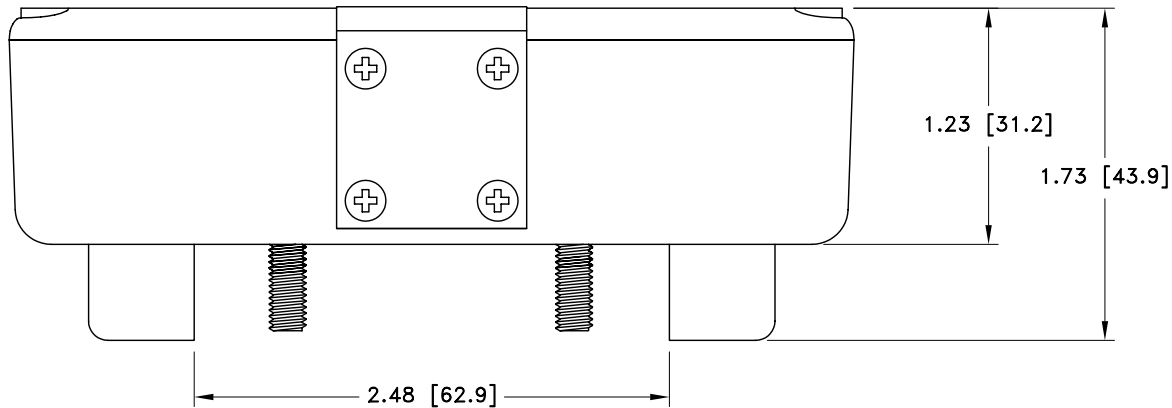
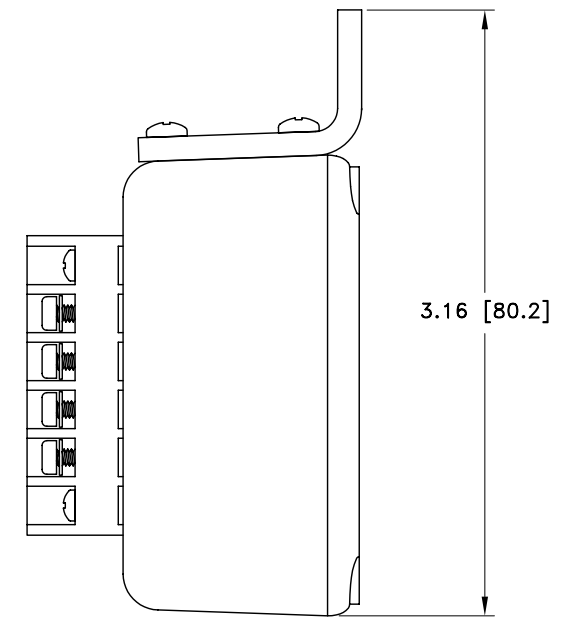


ALL DESIGN, OPERATIVE AND PROCESS DATA PERTAINING TO THE ARTICLE SHOWN ON THIS SHEET IS THE PROPERTY OF POLYPHASER CORPORATION. THE INFORMATION IS NOT TO BE COPIED, REPRODUCED, REVEALED TO OR APPROPRIATED BY OTHERS WITHOUT THE EXPRESS WRITTEN CONSENT OF POLYPHASER CORPORATION.

REVISIONS				
REV LTR	DATE	ENG	MKTG	Q.A.
D	01/17/01	KCB	PH	RM



MAXIMUM CHARACTERISTICS	
APPLICATION:	CURRENT LOOPS
SURGE:	36kA IEC 1000-4-5 8/20 μ s WAVEFORM
TURN-ON:	± 27 Vdc
RESISTANCE:	$\leq 0.1\Omega$
CAPACITANCE:	30nF
SURGE ENERGY:	425J
BAND WIDTH:	65kHz



CUSTOMER APPROVAL: _____ DATE: _____
 ALL DIMENSIONS SHOWN ABOVE ARE FOR REFERENCE ONLY.

DRAFTER J. CALLISTER	DATE 01/23/98	PolyPhaser® P.O. BOX 9000, MINDEN, NV 89423-9000 (775) 782-2511 FAX (775) 782-4476 DWG NO/PART NO/DESCRIPTION IS-CLDP CUSTOMER PRINT			
MECH ENGINEER R. DUNNING	DATE 03/03/98				
ELEC ENGINEER K. BARTEL	DATE 02/23/98				
MARKETING - - - -	DATE - - - -				
QUALITY DEPT R. MATHEUS	DATE 03/03/98	CAGE CODE 61114	FILE NAME -C1	SCALE 1/1	SHEET 1 OF 1