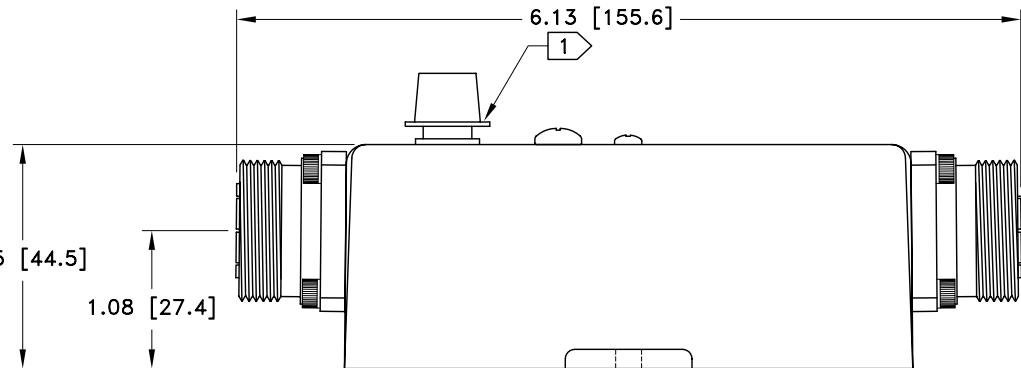
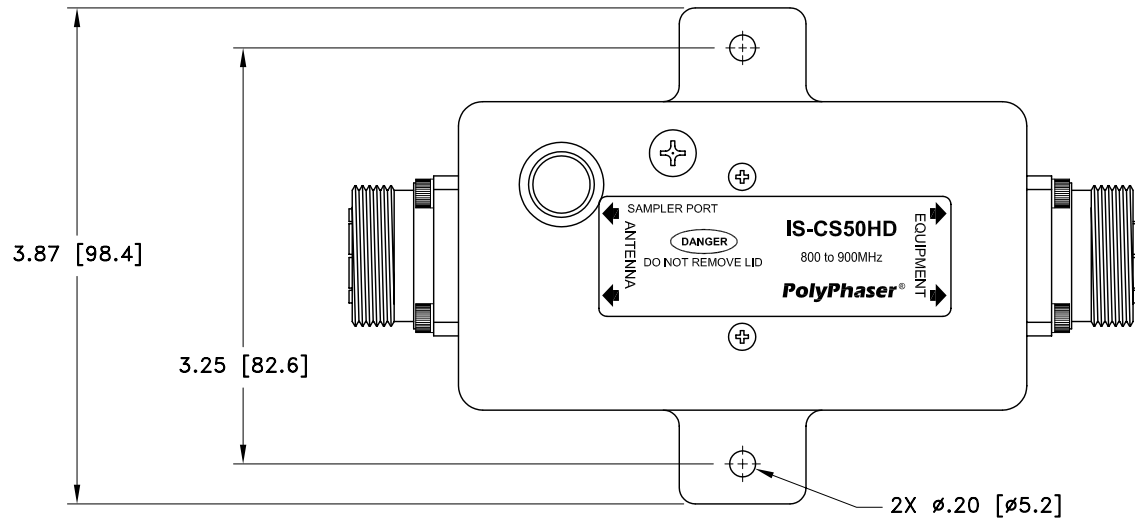
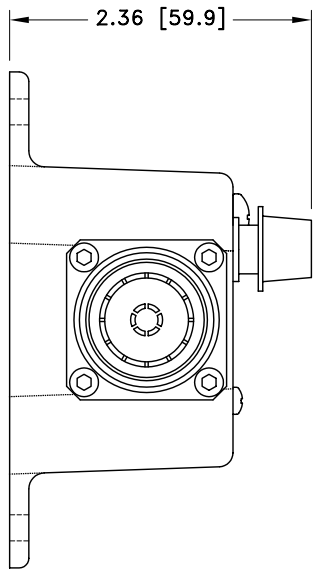


ALL DESIGN, OPERATIVE AND PROCESS DATA PERTAINING TO THE ARTICLE SHOWN ON THIS SHEET IS THE PROPERTY OF POLYPHASER CORPORATION. THE INFORMATION IS NOT TO BE COPIED, REPRODUCED, REVEALED TO OR APPROPRIATED BY OTHERS WITHOUT THE EXPRESS WRITTEN CONSENT OF POLYPHASER CORPORATION.

REVISIONS				
REV LTR	DATE	ENG	MKTG	Q.A.
A	06/12/01 <sup>SH</sup>	KCB	PH	RM
B	06/20/01 <sup>JC</sup>	JJ	PH	LJ



**NOTES:**

1) PROTECTIVE CAP OVER CONNECTOR.

**MAXIMUM CHARACTERISTICS**

**SURGE:**  
20kA IEC 1000-4-5 8/20 $\mu$ s WAVEFORM 138J

**TURN-ON:**  
1200Vdc Vt: 1800V

**TURN-ON TIME:**  
7.0ns FOR 2kV/ns

**FREQUENCY RANGE:**  
800 TO 900MHz

**VSWR:**  
 $\leq 1.1:1$  OVER FREQUENCY RANGE

**INSERTION LOSS:**  
 $\leq 0.1$ dB OVER FREQUENCY RANGE

**MAX. POWER**  
750W SINGLE CHANNEL

**TEMPERATURE:**  
-25°C TO +50°C STORAGE/OPERATING

CUSTOMER APPROVAL: \_\_\_\_\_ DATE: \_\_\_\_\_

ALL DIMENSIONS SHOWN ABOVE ARE FOR REFERENCE ONLY.

DRAFTER S. HALL	DATE 11/17/97	<b>PolyPhaser®</b> P.O. BOX 9000, MINDEN, NV 89423-9000 (775) 782-2511 FAX (775) 782-4476 IS-CS50HD CUSTOMER PRINT			
MECH ENGINEER J. JONES	DATE 12/15/97				
ELEC ENGINEER K. BARTEL	DATE 12/11/97				
MARKETING - - - -	DATE - - - -				
QUALITY DEPT R. MATHEUS	DATE 12/16/97	CAGE CODE 61114	FILE NAME -C1	SCALE 1/1.5	SHEET 1 OF 1