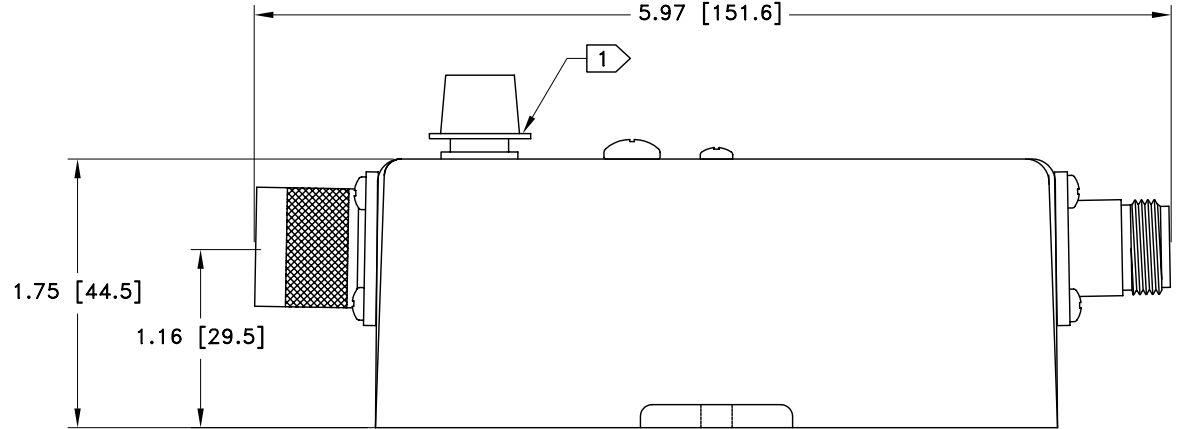
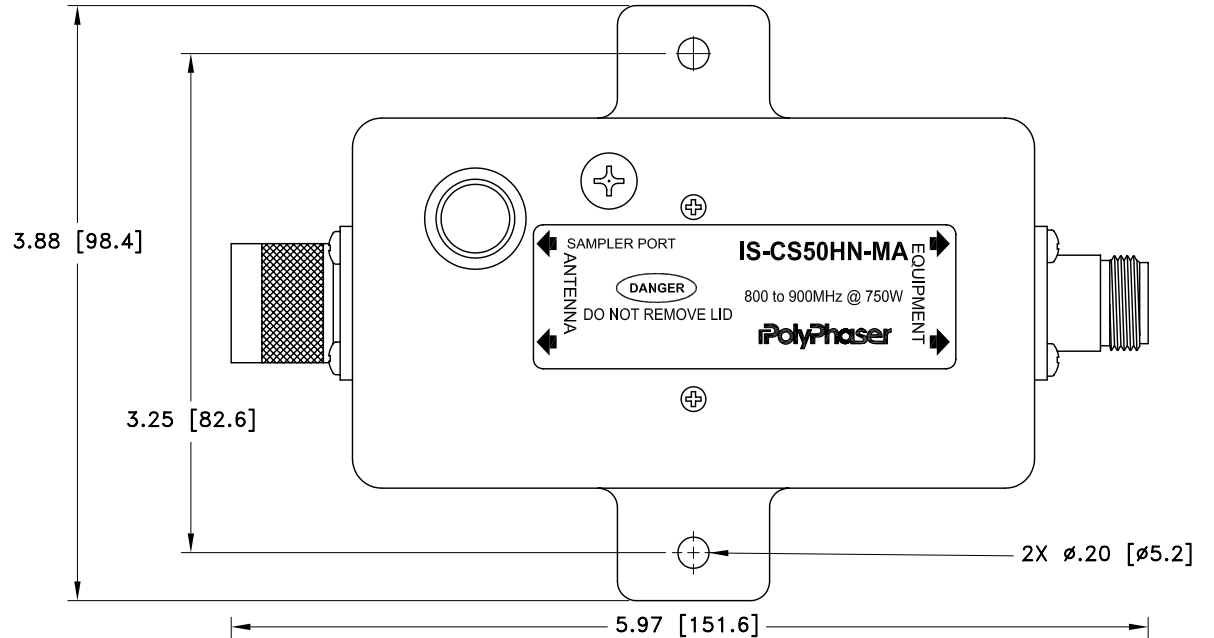
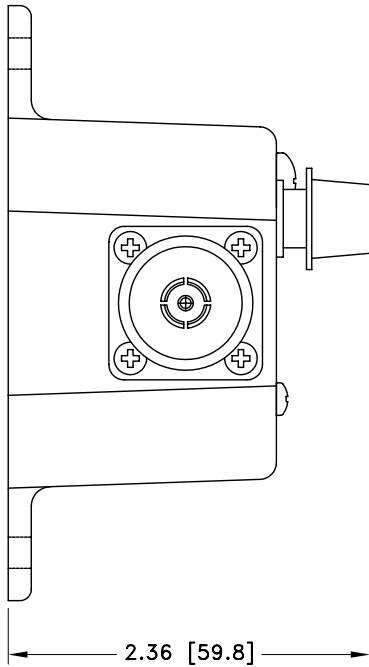


ALL DESIGN, OPERATIVE AND PROCESS DATA PERTAINING TO THE ARTICLE SHOWN ON THIS SHEET IS THE PROPERTY OF POLYPHASER CORPORATION. THE INFORMATION IS NOT TO BE COPIED, REPRODUCED, REVEALED TO OR APPROPRIATED BY OTHERS WITHOUT THE EXPRESS WRITTEN CONSENT OF POLYPHASER CORPORATION.

REVISIONS				
REV LTR	DATE	ENG	MKTG	Q.A.
D	06/21/01 _{JC}	JJ	PH	LJ
E	03/03/03 _{SH}	JJ	SD	LJ



NOTES:

1 PROTECTIVE CAP OVER CONNECTOR.

MAXIMUM CHARACTERISTICS

SURGE:
20ka IEC 1000-4-5 8/20μs WAVEFORM 138J

TURN-ON:
1200Vdc Vt: 1800V

TURN-ON TIME:
7.0ns FOR 2kV/ns

FREQUENCY RANGE:
800 TO 900MHz

VSWR:
≤1.1:1 OVER FREQUENCY RANGE


INSERTION LOSS:
≤0.1dB OVER FREQUENCY RANGE

MAX. POWER
750W SINGLE CHANNEL

TEMPERATURE:
-25°C TO +50°C STORAGE/OPERATING

CUSTOMER APPROVAL: _____ DATE: _____

ALL DIMENSIONS SHOWN ABOVE ARE FOR REFERENCE ONLY.

DRAFTER C. GASPARINI	DATE 08/06/96	 P.O. BOX 9000 MINDEN, NY 89423 TEL: 775-782-2511 FAX: 775-782-4476 DWG NO/PART NO/DESCRIPTION IS-CS50HN-MA CUSTOMER PRINT	
MECH ENGINEER O. AKDAG	DATE 08/06/96		
ELEC ENGINEER T. KULBIEDA	DATE 08/06/96		
MARKETING ---	DATE ---		
QUALITY DEPT R. MATHEUS	DATE 08/06/96		
CAGE CODE 61114	FILE NAME -C1	SCALE 1/1.25	SHEET 1 OF 1