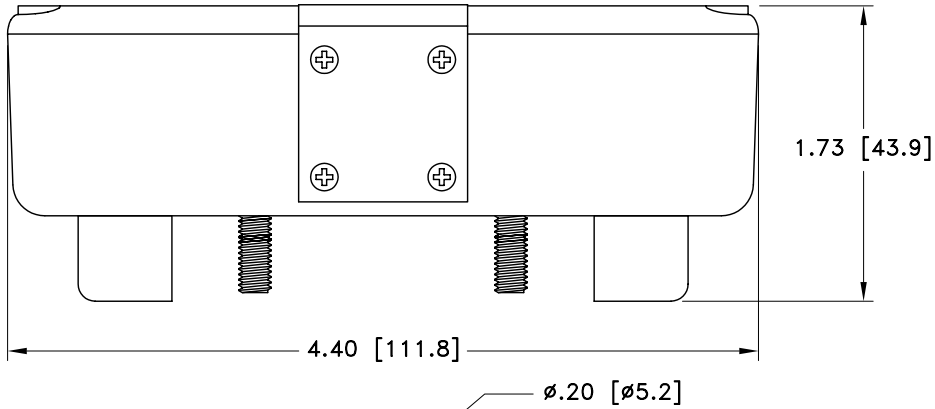


ALL DESIGN, OPERATIVE AND PROCESS DATA PERTAINING TO THE ARTICLE SHOWN ON THIS SHEET IS THE PROPERTY OF POLYPHASER CORPORATION. THE INFORMATION IS NOT TO BE COPIED, REPRODUCED, REVEALED TO OR APPROPRIATED BY OTHERS WITHOUT THE EXPRESS WRITTEN CONSENT OF POLYPHASER CORPORATION.

REVISIONS				
REV LTR	DATE	ENG	MKTG	Q.A.
C	12/15/99 ^{SH}	M.M	P.H	R.M
D	01/17/01 ^{IB}	KCB	PH	RM
E	01/31/03 ^{SH}	LC	PH	LJ



MAXIMUM CHARACTERISTICS

SURGE:
40kA IEC 1000-4-5 8/20μs WAVEFORM 110 JOULES

TURN ON:
±200Vdc

TURN ON TIME:
2.5ns FOR 2kV/ns

RESISTANCE:
20Ω ± 1%

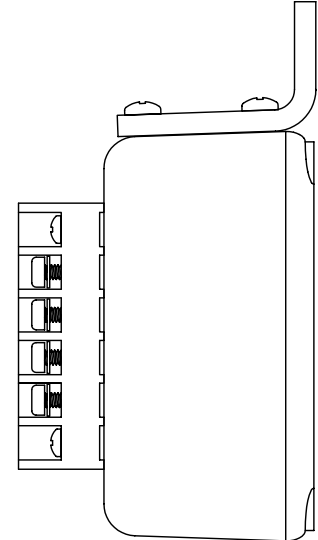
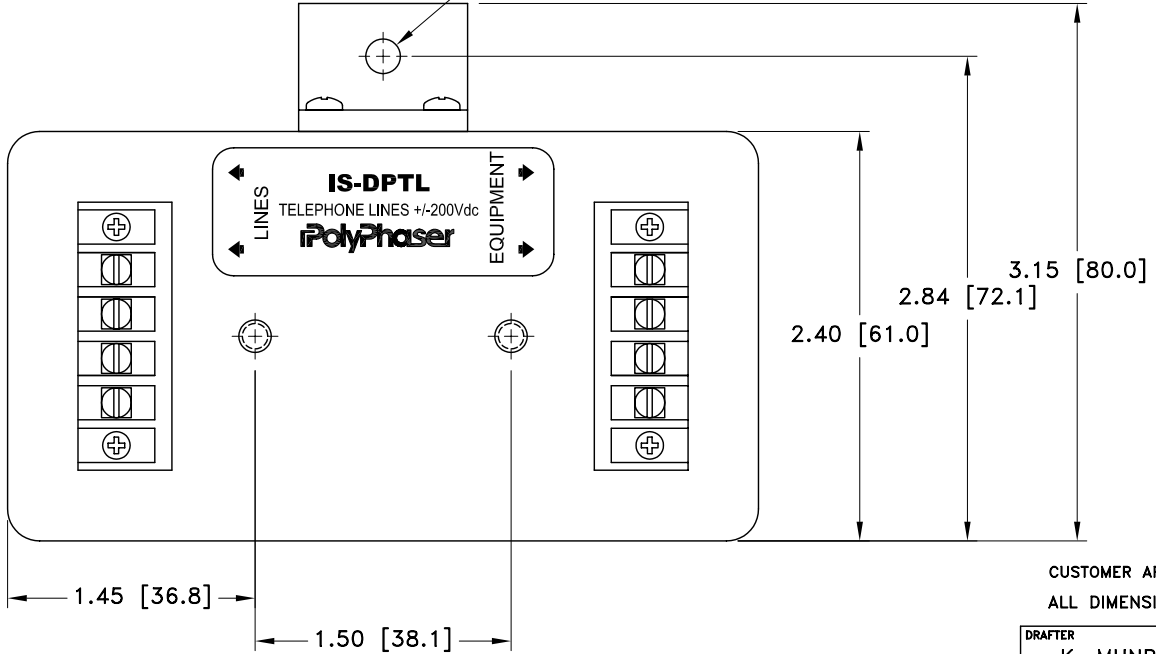
CAPACITANCE:
2.4nF

SURGE ENERGY:
550J

*LET THROUGH:
300Vp

BAND WIDTH:
250kHz

*PEAK OPEN CIRCUIT VOLTAGE AT
MAX CURRENT (WIRES VAPORIZED)



CUSTOMER APPROVAL: _____ DATE: _____

ALL DIMENSIONS SHOWN ABOVE ARE FOR REFERENCE ONLY.

DRAFTER K. MUNRO	DATE 05/23/96
MECH ENGINEER -----	DATE -----
ELEC ENGINEER T. KULBIEDA	DATE 05/24/96
MARKETING -----	DATE -----
QUALITY DEPT R. MATHEUS	DATE 05/24/96

PolyPhaser

P.O. BOX 9000 MINDEN, NV 89423 TEL: 775-782-2511 FAX: 775-782-4476

DWG NO/PART NO/DESCRIPTION

IS-DPTL
CUSTOMER PRINT

CAGE CODE	FILE NAME	SCALE	SHEET
61114	-C1	1/1.125	1 OF 1