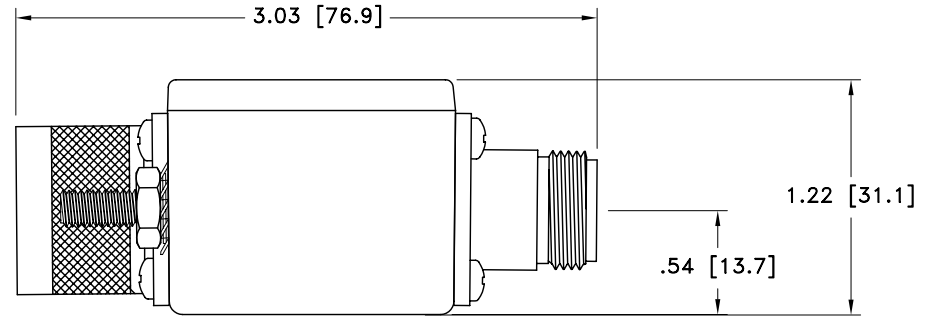
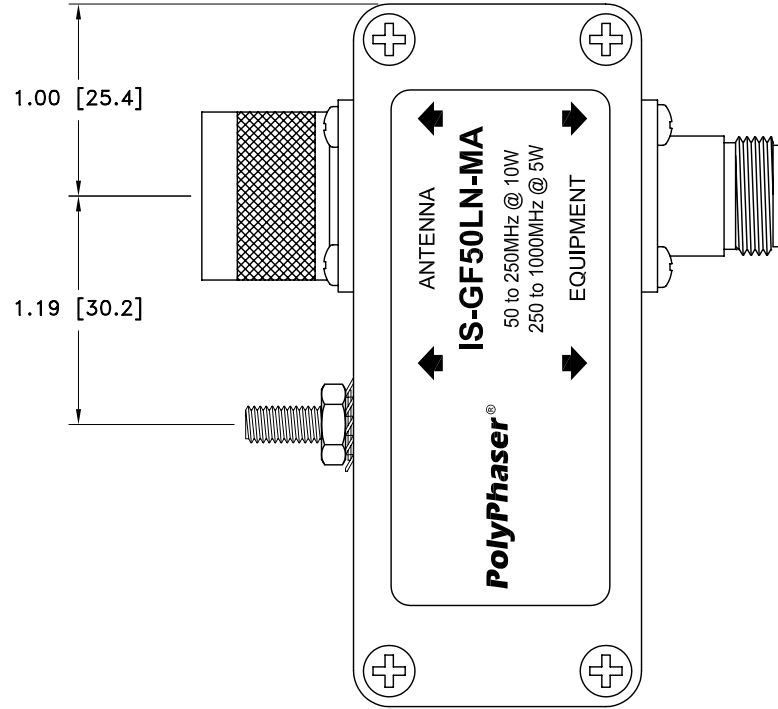
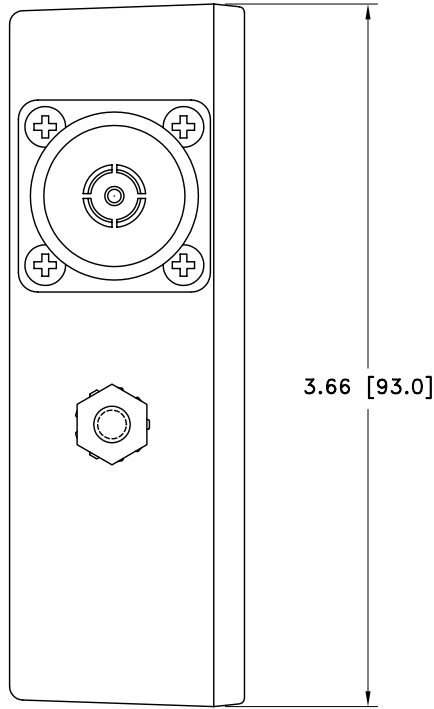


ALL DESIGN, OPERATIVE AND PROCESS DATA PERTAINING TO THE ARTICLE SHOWN ON THIS SHEET IS THE PROPERTY OF POLYPHASER CORPORATION. THE INFORMATION IS NOT TO BE COPIED, REPRODUCED, REVEALED TO OR APPROPRIATED BY OTHERS WITHOUT THE EXPRESS WRITTEN CONSENT OF POLYPHASER CORPORATION.

REVISIONS				
REV LTR	DATE	ENG	MKTG	Q.A.
A	01/15/01 <sub>IB</sub>	RCD	PH	RM



MAXIMUM CHARACTERISTICS	
SURGE: 18kA IEC 1000-4-5 8/20μs WAVEFORM 110 JOULES	
TURN ON: 90Vdc ±20%	
TURN ON TIME: 4ns FOR 2kV/ns	
VSWR: ≤1.2:1 OVER FREQUENCY RANGE	
INSERTION LOSS: ≤0.3dB OVER FREQUENCY RANGE	
FREQUENCY RANGE: 50MHz TO 1GHz	
TEMPERATURE: -40°C TO +85°C STORAGE/OPERATING +50°C	

CUSTOMER APPROVAL: \_\_\_\_\_ DATE: \_\_\_\_\_  
 ALL DIMENSIONS SHOWN ABOVE ARE FOR REFERENCE ONLY.

DRAFTER K. MUNRO	DATE 08/16/96	<b>PolyPhaser®</b> P.O. BOX 9000, MINDEN, NV 89423-9000 (775) 782-2511 FAX (775) 782-4476 DWG NO/PART NO/DESCRIPTION <b>IS-GF50LN-MA</b> CUSTOMER PRINT			
MECH ENGINEER -	DATE -				
ELEC ENGINEER T. KULBIEDA	DATE 08/21/96				
MARKETING -	DATE -				
QUALITY DEPT R. MATHEUS	DATE 08/22/96	CAGE CODE 61114	FILE NAME -C1	SCALE 1/1	SHEET 1 OF 1