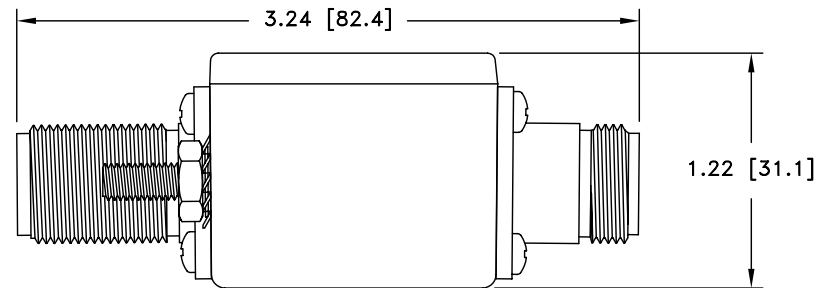
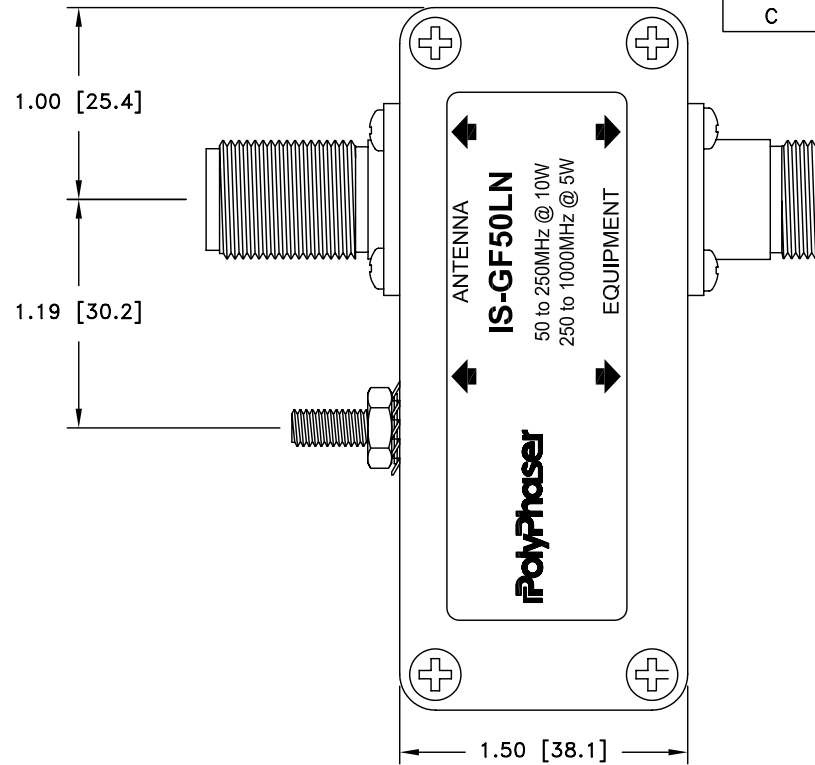
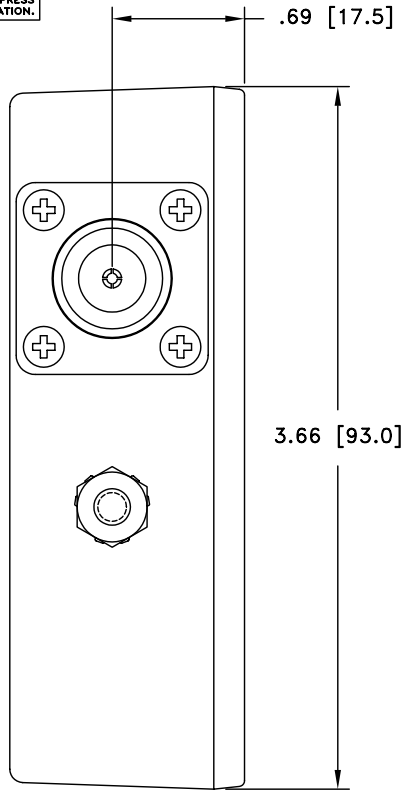


ALL DESIGN, OPERATIVE AND PROCESS DATA PERTAINING TO THE ARTICLE SHOWN ON THIS SHEET IS THE PROPERTY OF POLYPHASER CORPORATION. THE INFORMATION IS NOT TO BE COPIED, REPRODUCED, REVEALED TO OR APPROPRIATED BY OTHERS WITHOUT THE EXPRESS WRITTEN CONSENT OF POLYPHASER CORPORATION.

REVISIONS

REV LTR	DATE	ENG	MKTG	Q.A.
A	01/15/01 ^{IB}	KCB	PH	RM
B	03/03/03 ^{IB}	KCB	SD	LJ
C	11/10/03 ^{RS}	KCB	SD	LJ



MAXIMUM CHARACTERISTICS

SURGE:
18kA IEC 61000-4-5 8/20μs WAVEFORM 110 JOULES

TURN-ON:
90V±20%

TURN-ON TIME:
4ns FOR 2kV/ns

FREQUENCY RANGE:
80MHz TO 900MHz

VSWR:
≤1.1:1 OVER FREQUENT RANGE

THROUGHPUT ENERGY:
≤35μJ

MAX. POWER:
HF 10W, VHF 5W

INSERTION LOSS:
≤0.2dB OVER FREQUENCY RANGE

TEMPERATURE:
-40°C TO +85°C STORAGE/OPERATING +50°C

CUSTOMER APPROVAL: _____ DATE: _____

ALL DIMENSIONS SHOWN ABOVE ARE FOR REFERENCE ONLY.

DRAFTER J. CALLISTER	DATE 03/02/98
MECH ENGINEER R. DUNNING	DATE 03/12/98
ELEC ENGINEER K. BARTEL	DATE 03/10/98
MARKETING - - - -	DATE - - - -
QUALITY DEPT R. MATHEUS	DATE 03/12/98

PolyPhaser
P.O. BOX 9000 MINDEN, NY 89423 TEL: 775-782-2511 FAX: 775-782-4476
DWG NO/PART NO/DESCRIPTION

IS-GF50LN
CUSTOMER PRINT

CAGE CODE	FILE NAME	SCALE	SHEET
61114	-C1	1/1	1 OF 1