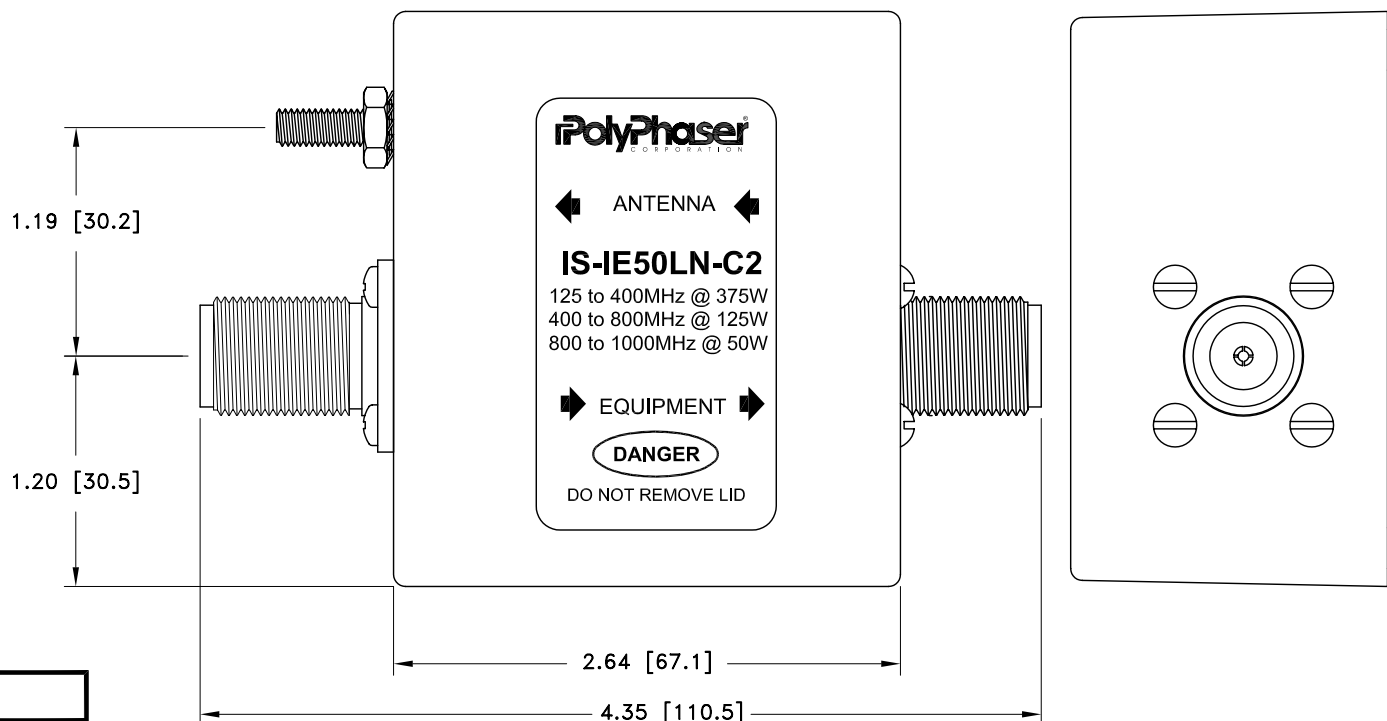
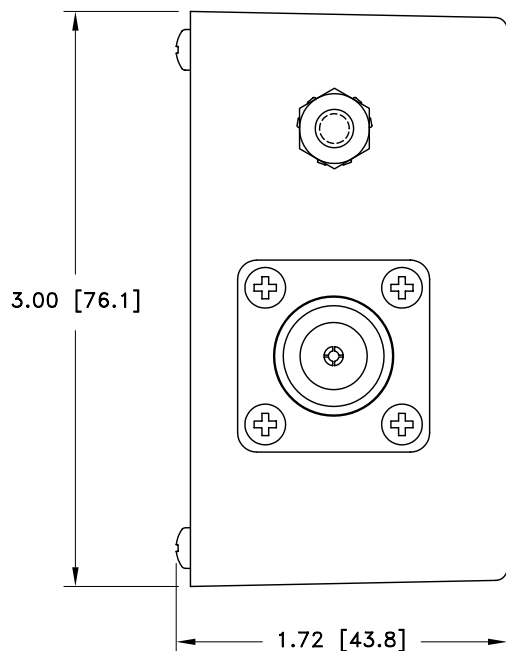


ALL DESIGN, OPERATIVE AND PROCESS DATA PERTAINING TO THE ARTICLE SHOWN ON THIS SHEET IS THE PROPERTY OF POLYPHASER CORPORATION. THE INFORMATION IS NOT TO BE COPIED, REPRODUCED, REVEALED TO OR APPROPRIATED BY OTHERS WITHOUT THE EXPRESS WRITTEN CONSENT OF POLYPHASER CORPORATION.

REVISIONS

| REV LTR | DATE | ENG | MKTG | Q.A. |
|---------|-------------|-----|------|------|
| C | 05/23/02 IB | JJ | SJ | RM |
| D | 11/27/02 IB | JJ | SD | JB |



PolyPhaser
CORPORATION

← ANTENNA ←

IS-IE50LN-C2
125 to 400MHz @ 375W
400 to 800MHz @ 125W
800 to 1000MHz @ 50W

→ EQUIPMENT →

⚠ DANGER ⚠
DO NOT REMOVE LID

MAXIMUM CHARACTERISTICS

SURGE:
50kA IEC 1000-4-5 8/20μs WAVEFORM

TURN-ON:
600Vdc ±20%

TURN-ON TIME:
2.5ns FOR 2kV/ns

FREQUENCY RANGE:
125MHz TO 1,000MHz

THROUGHPUT ENERGY:
137μJ

VSWR:
≤1.1:1 OVER FREQUENCY RANGE

INSERTION LOSS:
≤0.1dB OVER FREQUENCY RANGE

MAX POWER:
VHF 375W, UHF(low) 125W, 800MHz TO 1GHz 50W

OPERATING TEMPERATURE:
-50°C TO +50°C

STORAGE TEMPERATURE:
-50°C TO +85°C STORAGE

VIBRATION:
1G AT 5Hz TO 100Hz

CUSTOMER APPROVAL: _____ DATE: _____

ALL DIMENSIONS SHOWN ABOVE ARE FOR REFERENCE ONLY.

| | | | |
|----------------------------|-------------------|---|-----------------|
| DRAFTER M. WALSER | DATE 03/01/94 | P.O. BOX 9000 MINDEN, NV 89423 TEL: 775-782-2511 FAX: 775-782-4476 DWG NO/PART NO/DESCRIPTION IS-IE50LN-C2 CUSTOMER PRINT | |
| MECH ENGINEER - - - - - | DATE - - - - - | | |
| ELEC ENGINEER J. JONES | DATE 03/01/94 | | |
| MARKETING - - - - - | DATE - - - - - | | |
| QUALITY DEPT R. MATHEUS | DATE 03/01/94 | | |
| CAGE CODE 61114 | FILE NAME -C1 | SCALE 1/1 | SHEET 1 OF 1 |