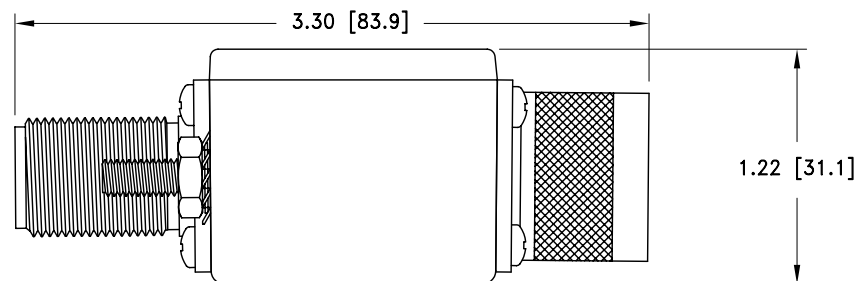
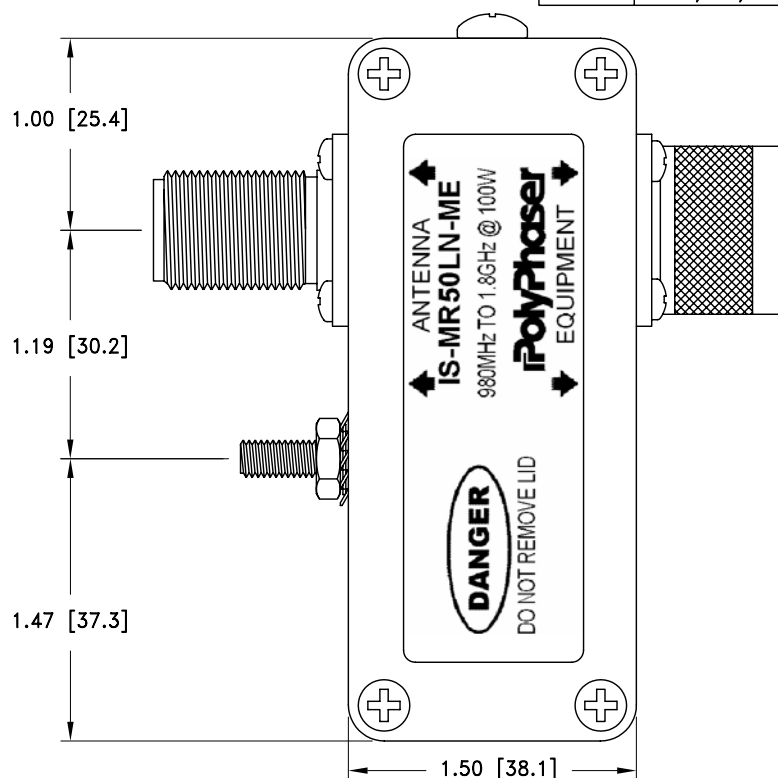
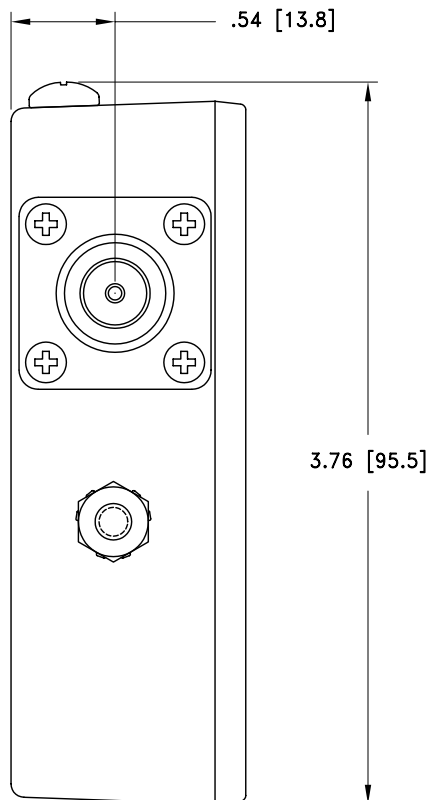


ALL DESIGN, OPERATIVE AND PROCESS DATA PERTAINING TO THE ARTICLE SHOWN ON THIS SHEET IS THE PROPERTY OF POLYPHASER CORPORATION. THE INFORMATION IS NOT TO BE COPIED, REPRODUCED, REVEALED TO OR APPROPRIATED BY OTHERS WITHOUT THE EXPRESS WRITTEN CONSENT OF POLYPHASER CORPORATION.


REVISIONS				
REV LTR	DATE	ENG	MKTG	Q.A.
B	05/23/02 <sup>SH</sup>	JJ	SJD	LJ
C	09/26/03 <sup>SH</sup>	RD	SD	LJ



CUSTOMER APPROVAL: \_\_\_\_\_ DATE: \_\_\_\_\_

ALL DIMENSIONS SHOWN ABOVE ARE FOR REFERENCE ONLY.

MAXIMUM CHARACTERISTICS
SURGE: 20kA IEC 61000-4-5 8/20 $\mu$ s WAVEFORM 138Joules
TURN-ON: 600Vdc $\pm$ 20%
TURN-ON TIME: 2.5ns FOR 2kV/ns
POWER: 100W
FREQUENCY RANGE: 980MHz TO 1.8GHz
VSWR: $\leq$ 1.1:1 OVER FREQUENCY RANGE
INSERTION LOSS: $\leq$ 0.1dB OVER FREQUENCY RANGE
TEMPERATURE: -45°C TO +85°C STORAGE/OPERATING +50°C

DRAFTER J. CALLISTER	DATE 10/31/96	 P.O. BOX 9000 MINDEN, NY 89423 TEL: 775-782-2511 FAX: 775-782-4476 DWG NO/PART NO/DESCRIPTION <b>IS-MR50LN-ME</b> CUSTOMER PRINT	
MECH ENGINEER -	DATE -		
ELEC ENGINEER T. KULBIEDA	DATE 11/07/96		
MARKETING -	DATE -		
QUALITY DEPT R. MATHEUS	DATE 11/07/96		
CAGE CODE 61114	FILE NAME -C1	SCALE 1/1	SHEET 1 OF 1