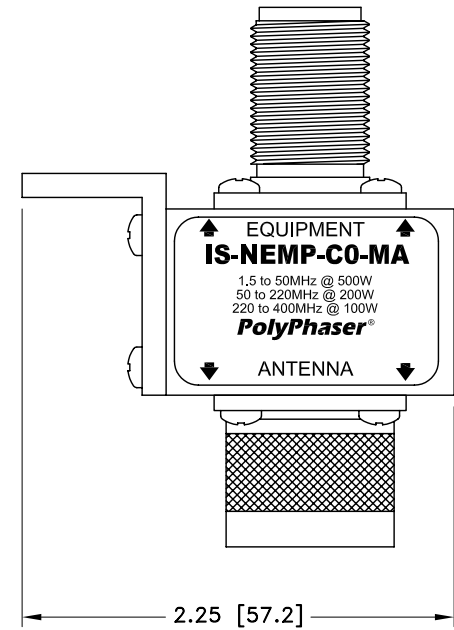
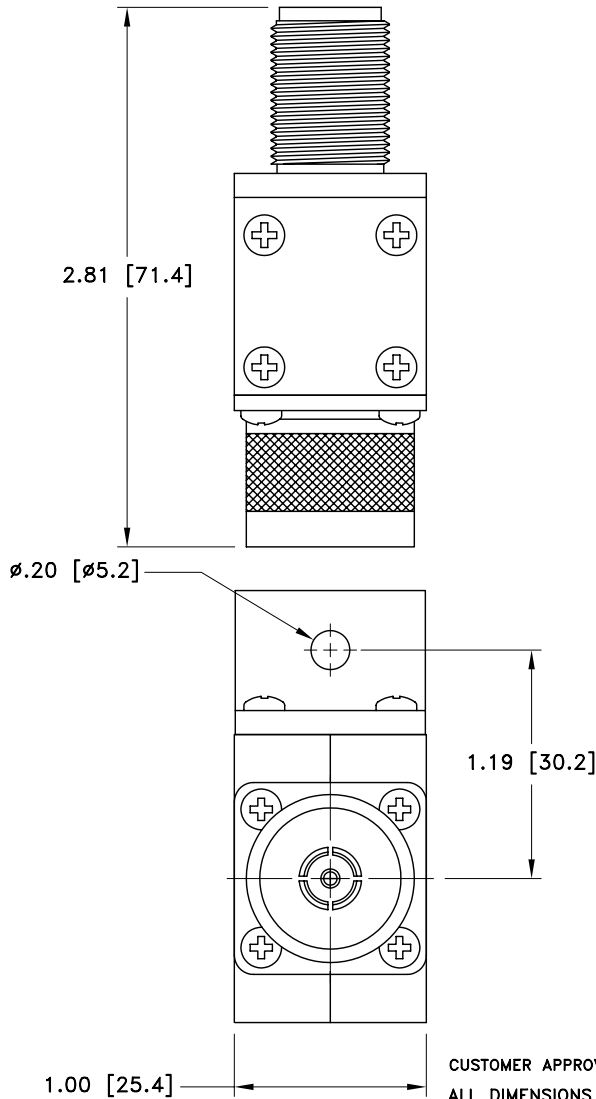
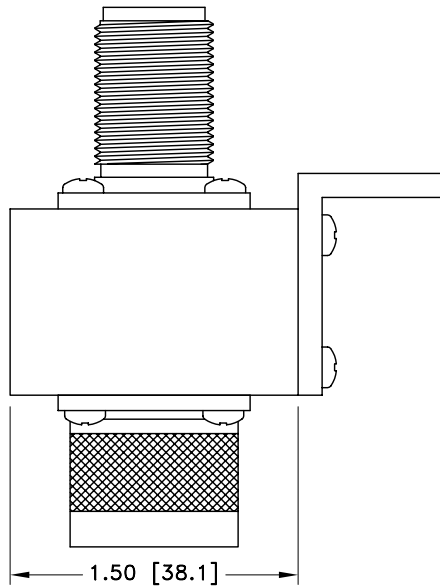


ALL DESIGN, OPERATIVE AND PROCESS DATA PERTAINING TO THE ARTICLE SHOWN ON THIS SHEET IS THE PROPERTY OF POLYPHASER CORPORATION. THE INFORMATION IS NOT TO BE COPIED, REPRODUCED, REVEALED TO OR APPROPRIATED BY OTHERS WITHOUT THE EXPRESS WRITTEN CONSENT OF POLYPHASER CORPORATION.

REVISIONS				
REV LTR	DATE	ENG	MKTG	Q.A.
B	10/05/99 ^{SH}	M.M	T.M	R.M
C	11/12/01 ^{IB}	JJ	PH	RM



MAXIMUM CHARACTERISTICS

SURGE:
 50kA IEC 1000-4-5 8/20 μ s WAVEFORM 500 JOULES
TURN-ON:
 330Vdc \pm 20%
TURN-ON TIME:
 1.5ns FOR 2kV/ns
FREQUENCY RANGE:
 1.5MHz TO 400MHz
VSWR:
 \leq 1.1:1 OVER FREQUENCY RANGE
INSERTION LOSS:
 \leq 0.1dB OVER FREQUENCY RANGE
TEMPERATURE:
 -55°C TO +125°C STORAGE/ OPERATING +50°C

CUSTOMER APPROVAL: _____ DATE: _____

ALL DIMENSIONS SHOWN ABOVE ARE FOR REFERENCE ONLY.

DRAFTER J. CALLISTER	DATE 09/23/96	PolyPhaser® P.O. BOX 9000, MINDEN, NV 89423-9000 (775) 782-2511 FAX (775) 782-4476 DWG NO/PART NO/DESCRIPTION			
MECH ENGINEER -	DATE -				
ELEC ENGINEER T. KULBIEDA	DATE 09/24/96	IS-NEMP-CO-MA CUSTOMER PRINT			
MARKETING -	DATE -				
QUALITY DEPT R. MATHEUS	DATE 09/24/96	CAGE CODE 61114	FILE NAME -C1	SCALE 1/1	SHEET 1 OF 1