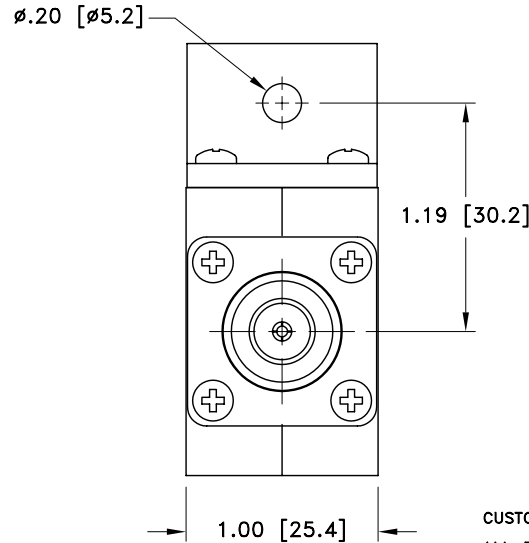
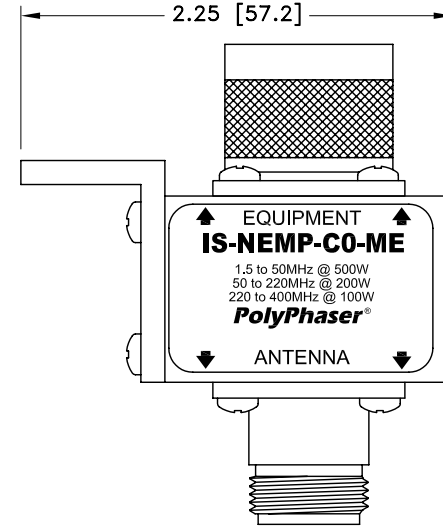
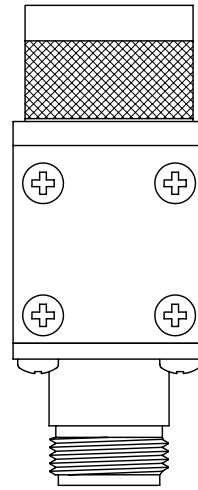
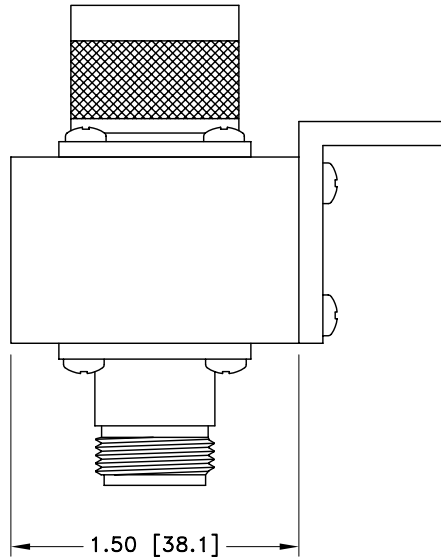


ALL DESIGN, OPERATIVE AND PROCESS DATA PERTAINING TO THE ARTICLE SHOWN ON THIS SHEET IS THE PROPERTY OF POLYPHASER CORPORATION. THE INFORMATION IS NOT TO BE COPIED, REPRODUCED, REVEALED TO OR APPROPRIATED BY OTHERS WITHOUT THE EXPRESS WRITTEN CONSENT OF POLYPHASER CORPORATION.

REVISIONS

| REV LTR | DATE | ENG | MKTG | Q.A. |
|---------|----------|-----|------|------|
| A | 11/12/01 | JJ | PH | RM |



CUSTOMER APPROVAL: _____ DATE: _____

ALL DIMENSIONS SHOWN ABOVE ARE FOR REFERENCE ONLY.

MAXIMUM CHARACTERISTICS

SURGE:
50kA IEC 1000-4-5 8/20 μ s WAVEFORM 500 JOULES

TURN-ON:
330Vdc \pm 20%

TURN-ON TIME:
1.5ns FOR 2kV/ns

FREQUENCY RANGE:
1.5MHz TO 400MHz

VSWR:
 \leq 1.1:1 OVER FREQUENCY RANGE

INSERTION LOSS:
 \leq 0.1dB OVER FREQUENCY RANGE

TEMPERATURE:
-55°C TO +125°C STORAGE/ OPERATING +50°C

| | | | | | |
|-----------------------------|------------------|--|------------------|--------------|-----------------|
| DRAFTER C. GASPARINI | DATE 06/02/99 | PolyPhaser® P.O. BOX 9000, MINDEN, NV 89423-9000 (775) 782-2511 FAX (775) 782-4476 DWG NO/PART NO/DESCRIPTION IS-NEMP-CO-ME CUSTOMER PRINT | | | |
| MECH ENGINEER R. DUNNING | DATE 06/17/99 | | | | |
| ELEC ENGINEER K. BARTEL | DATE 06/16/99 | | | | |
| MARKETING T. FRALEY | DATE 06/17/99 | | | | |
| QUALITY DEPT J. BERNARD | DATE 06/17/99 | CAGE CODE 61114 | FILE NAME -C1 | SCALE 1/1 | SHEET 1 OF 1 |