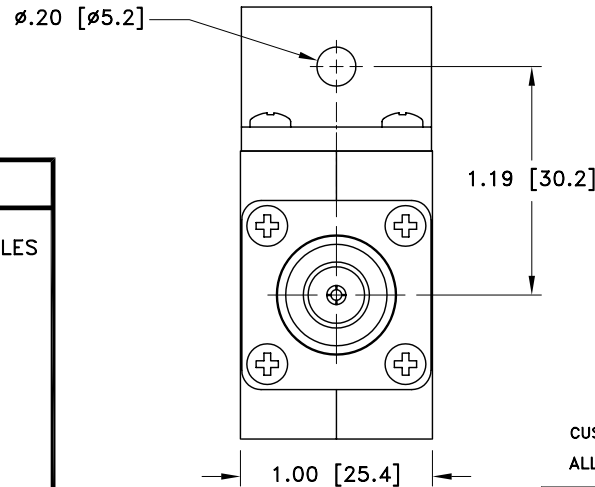
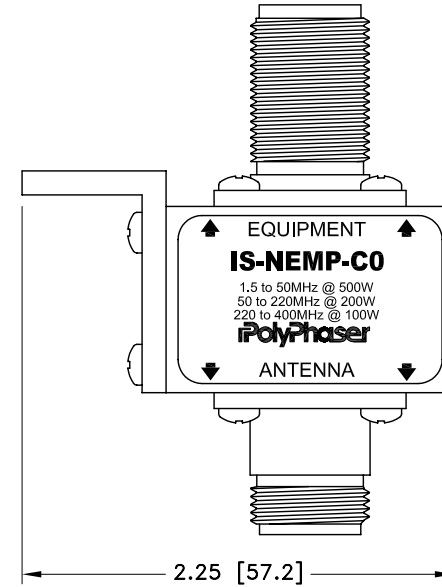
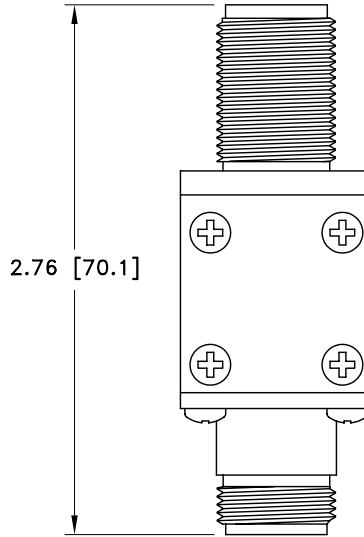
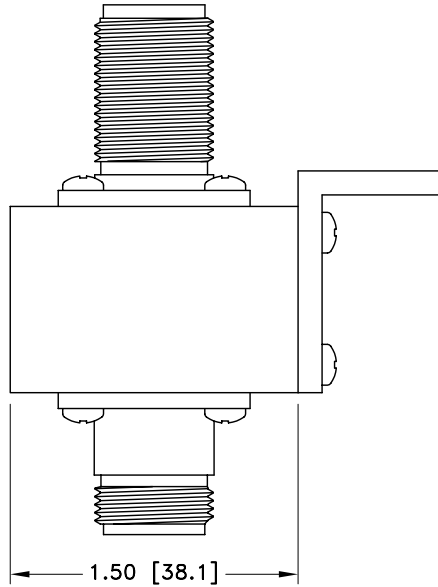


ALL DESIGN, OPERATIVE AND PROCESS DATA PERTAINING TO THE ARTICLE SHOWN ON THIS SHEET IS THE PROPERTY OF POLYPHASER CORPORATION. THE INFORMATION IS NOT TO BE COPIED, REPRODUCED, REVEALED TO OR APPROPRIATED BY OTHERS WITHOUT THE EXPRESS WRITTEN CONSENT OF POLYPHASER CORPORATION.


REVISIONS				
REV LTR	DATE	ENG	MKTG	Q.A.
B	10/05/99 ^{SH}	M.M	R.J	J.B
C	01/16/01 ^{IB}	KCB	PH	RM
D	11/19/02 ^{IB}	LC	SD	LJ



MAXIMUM CHARACTERISTICS	
SURGE:	50kA IEC 1000-4-5 8/20μs WAVEFORM 500 JOULES
TURN-ON:	330Vdc ±20%
TURN-ON TIME:	1.5ns FOR 2kV/ns
FREQUENCY RANGE:	1.5MHz TO 400MHz
VSWR:	≤1.2:1 @ 1.5MHz TO 2MHz ≤1.1:1 @ 2MHz TO 400MHz
INSERTION LOSS:	≤0.1dB OVER FREQUENCY RANGE
TEMPERATURE:	-45°C TO +85°C STORAGE/ OPERATING +50°C

CUSTOMER APPROVAL: _____ DATE: _____

ALL DIMENSIONS SHOWN ABOVE ARE FOR REFERENCE ONLY.

DRAFTER D. SCHARMANN	DATE 12/23/94	 P.O. BOX 9000 MINDEN, NV 89423 TEL: 775-782-2511 FAX: 775-782-4476 DWG NO/PART NO/DESCRIPTION IS-NEMP-CO CUSTOMER PRINT			
MECH ENGINEER - - - - -	DATE - - - - -				
ELEC ENGINEER J. JONES	DATE 12/23/94				
MARKETING - - - - -	DATE - - - - -				
QUALITY DEPT N. JOHN	DATE 12/23/94	CAGE CODE 61114	FILE NAME -C1	SCALE 1/1	SHEET 1 OF 1