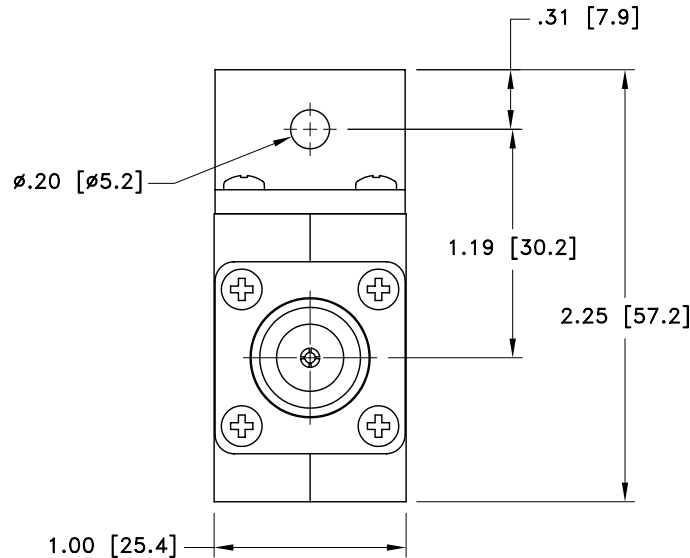
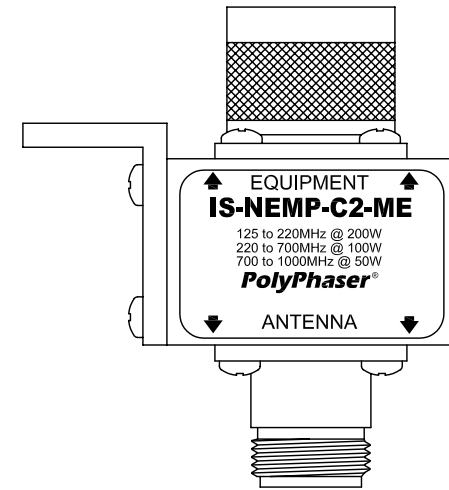
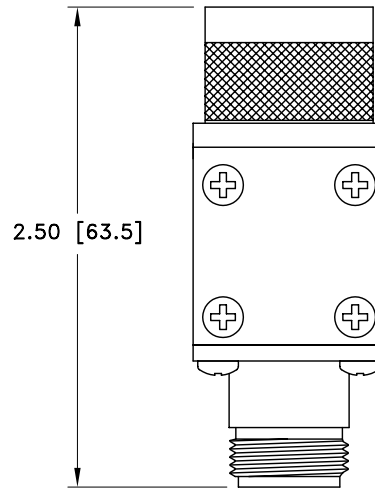
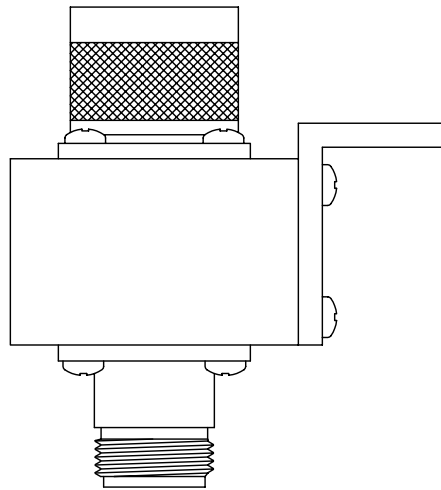


ALL DESIGN, OPERATIVE AND PROCESS DATA PERTAINING TO THE ARTICLE SHOWN ON THIS SHEET IS THE PROPERTY OF POLYPHASER CORPORATION. THE INFORMATION IS NOT TO BE COPIED, REPRODUCED, REVEALED TO OR APPROPRIATED BY OTHERS WITHOUT THE EXPRESS WRITTEN CONSENT OF POLYPHASER CORPORATION.

REVISIONS				
REV LTR	DATE	ENG	MKTG	Q.A.
A	10/12/99 <sup>SH</sup>	M.M	R.J	J.B
B	11/13/01 <sup>IB</sup>	JJ	PH	RM



MAXIMUM CHARACTERISTICS
APPLICATION: BULKHEAD MOUNT
FREQUENCY RANGE: 125MHz TO 1000MHz
VSWR: ≤1.1:1 OVER FREQUENCY RANGE
INSERTION LOSS: ≤0.1dB OVER FREQUENCY RANGE
MAX POWER: VHF 200W, UHF (LOW) 100W 800MHz TO 1GHz 50W
THROUGHPUT ENERGY: ≤250mJ TYPICAL
OPERATING TEMPERATURE: +50°C
STORAGE TEMPERATURE: -45°C TO +85°C
RELATIVE HUMIDITY: 90% AT 40°C
VIBRATION: 1G AT 5Hz TO 100Hz

CUSTOMER APPROVAL: \_\_\_\_\_ DATE: \_\_\_\_\_

ALL DIMENSIONS SHOWN ABOVE ARE FOR REFERENCE ONLY.

DRAFTER J. CALLISTER	DATE 04/22/98	<b>PolyPhaser®</b> P.O. BOX 9000, MINDEN, NV 89423-9000 (775) 782-2511 FAX (775) 782-4476 DWG NO/PART NO/DESCRIPTION <b>IS-NEMP-C2-ME</b> CUSTOMER PRINT			
MECH ENGINEER R. DUNNING	DATE 04/27/98				
ELEC ENGINEER K. BARTEL	DATE 04/23/98				
MARKETING - - - -	DATE - - - -				
QUALITY DEPT R. MATHEUS	DATE 04/28/98	CAGE CODE 61114	FILE NAME -C1	SCALE 1/1	SHEET 1 OF 1