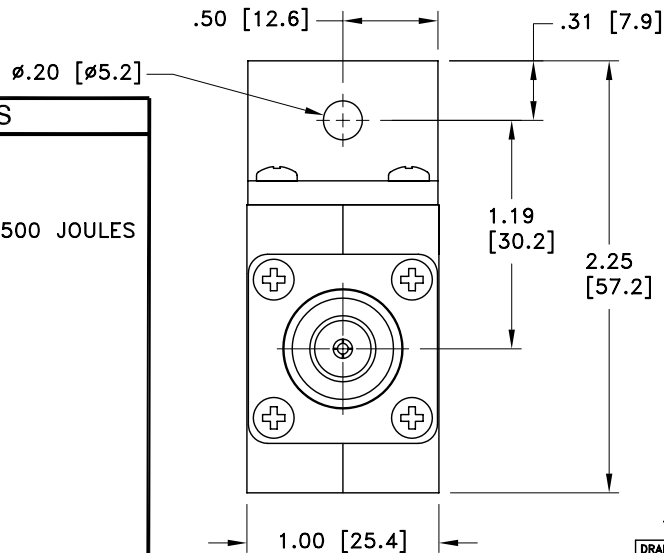
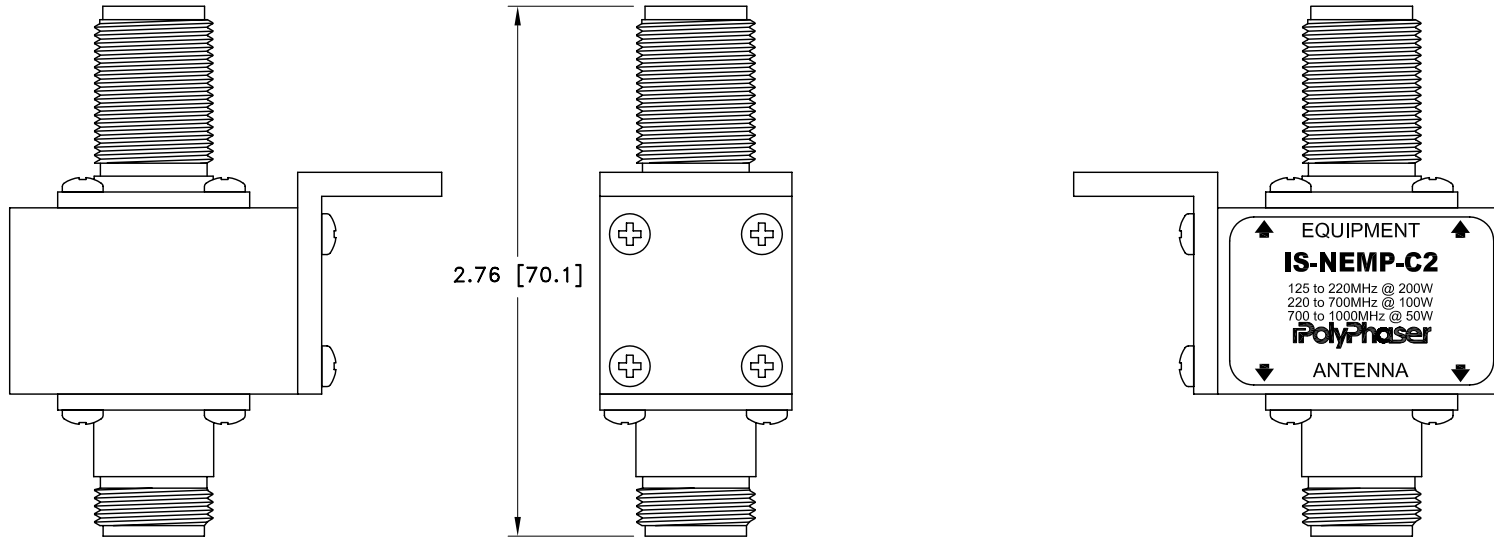


ALL DESIGN, OPERATIVE AND PROCESS DATA PERTAINING TO THE ARTICLE SHOWN ON THIS SHEET IS THE PROPERTY OF POLYPHASER CORPORATION. THE INFORMATION IS NOT TO BE COPIED, REPRODUCED, REVEALED TO OR APPROPRIATED BY OTHERS WITHOUT THE EXPRESS WRITTEN CONSENT OF POLYPHASER CORPORATION.

REVISIONS				
REV LTR	DATE	ENG	MKTG	Q.A.
B	02/20/01 <sup>SH</sup>	KCB	--	RM
C	03/03/03 <sup>IB</sup>	LC	SD	LJ



CUSTOMER APPROVAL: \_\_\_\_\_ DATE: \_\_\_\_\_

ALL DIMENSIONS SHOWN ABOVE ARE FOR REFERENCE ONLY.

MAXIMUM CHARACTERISTICS
<b>APPLICATION:</b> BULKHEAD MOUNT
<b>SURGE:</b> 50kA IEC 1000-4-5 8/20 $\mu$ s WAVEFORM 500 JOULES
<b>FREQUENCY RANGE:</b> 125MHz TO 1000MHz
<b>TURN-ON:</b> 330Vdc $\pm$ 20%
<b>TURN-ON TIME:</b> 1.5ns FOR 2kV/ns
<b>VSWR:</b> $\leq$ 1.1:1 @ 125 TO 1000MHz
<b>INSERTION LOSS:</b> $\leq$ 0.1dB OVER FREQUENCY RANGE
<b>MAX POWER:</b> VHF 200W, UHF (LOW) 100W 800MHz TO 1GHz 50W
<b>THROUGHPUT ENERGY:</b> $\leq$ 250 $\mu$ J TYPICAL
<b>TEMPERATURE:</b> -45°C TO +85°C STORAGE/OPERATING +50°C
<b>VIBRATION:</b> 1G AT 5Hz TO 100Hz

DRAFTER S. HALL	DATE 07/29/99
MECH ENGINEER M. MATTSON	DATE 03/20/00
ELEC ENGINEER K. BARTEL	DATE 03/21/00
MARKETING R. JUCHEM	DATE 03/21/00
QUALITY DEPT J. BERNARD	DATE 03/20/00

**PolyPhaser**

P.O. BOX 9000 MINDEN, NV 89423 TEL: 775-782-2511 FAX: 775-782-4476  
DWG NO/PART NO/DESCRIPTION

**IS-NEMP-C2**  
CUSTOMER PRINT

CAGE CODE 61114	FILE NAME -C1	SCALE 1/1	SHEET 1 OF 1
--------------------	------------------	--------------	-----------------