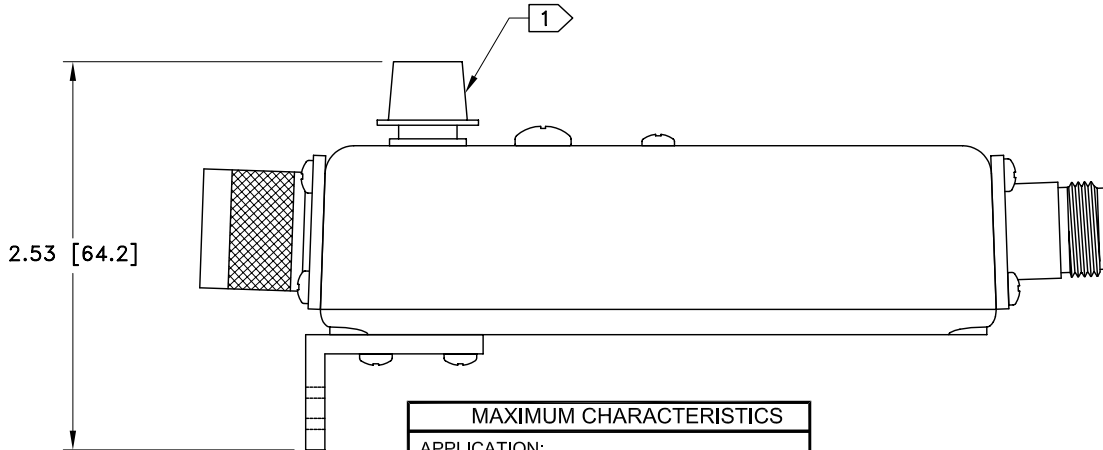
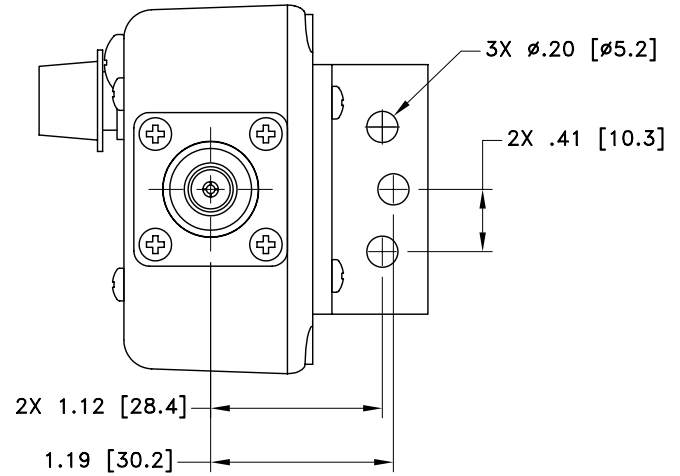
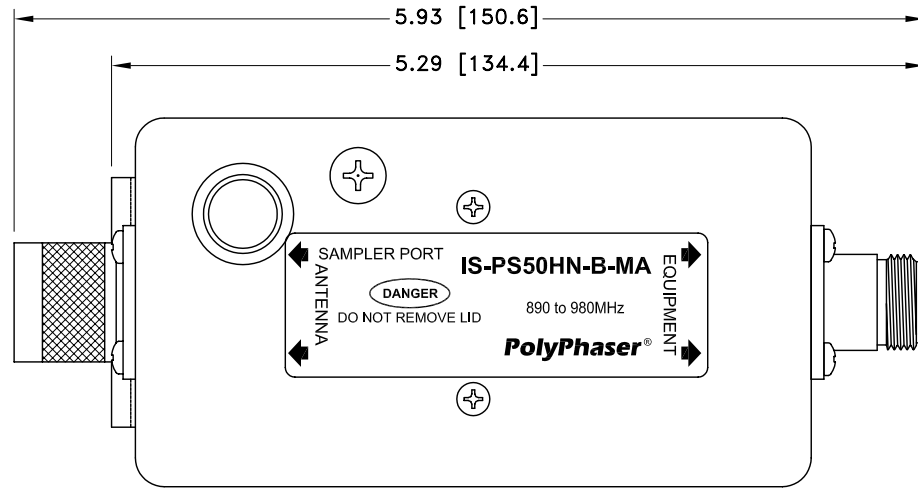


ALL DESIGN, OPERATIVE AND PROCESS DATA PERTAINING TO THE ARTICLE SHOWN ON THIS SHEET IS THE PROPERTY OF POLYPHASER CORPORATION. THE INFORMATION IS NOT TO BE COPIED, REPRODUCED, REVEALED TO OR APPROPRIATED BY OTHERS WITHOUT THE EXPRESS WRITTEN CONSENT OF POLYPHASER CORPORATION.

REVISIONS				
REV LTR	DATE	ENG	MKTG	Q.A.
A	05/29/01 ^{SH}	KCB	PH	LJ
B	07/18/01 ^{IB}	JJ	PH	LJ



MAXIMUM CHARACTERISTICS
APPLICATION: BULKHEAD MOUNT
FREQUENCY RANGE: 890MHz TO 980MHz
VSWR: ≤1.1:1 OVER FREQUENCY RANGE
INSERTION LOSS: ≤0.1dB OVER FREQUENCY RANGE
POWER: 750W SINGLE CHANNEL
THROUGHPUT ENERGY: 10μJ FOR 8/20μs WAVE FORM
OPERATING TEMPERATURE: -25°C TO +50°C
STORAGE TEMPERATURE: -25°C TO +50°C
RELATIVE HUMIDITY: 90% AT 40°C
VIBRATION: 1G AT 5Hz TO 100Hz

NOTES:

1 PROTECTIVE CAP OVER CONNECTOR.

CUSTOMER APPROVAL: _____ DATE: _____

ALL DIMENSIONS SHOWN ABOVE ARE FOR REFERENCE ONLY.

DRAFTER J. CALLISTER	DATE 07/16/97	PolyPhaser® P.O. BOX 9000, MINDEN, NV 89423-9000 (775) 782-2511 FAX (775) 782-4476 DWG NO/PART NO/DESCRIPTION			
MECH ENGINEER - - - -	DATE - - - -				
ELEC ENGINEER K. BARTEL	DATE 07/22/97	IS-PS50HN-B-MA CUSTOMER PRINT			
MARKETING - - - -	DATE - - - -				
QUALITY DEPT R. MATHEUS	DATE 07/22/97	CAGE CODE 61114	FILE NAME -C1	SCALE 1/1.25	SHEET 1 OF 1