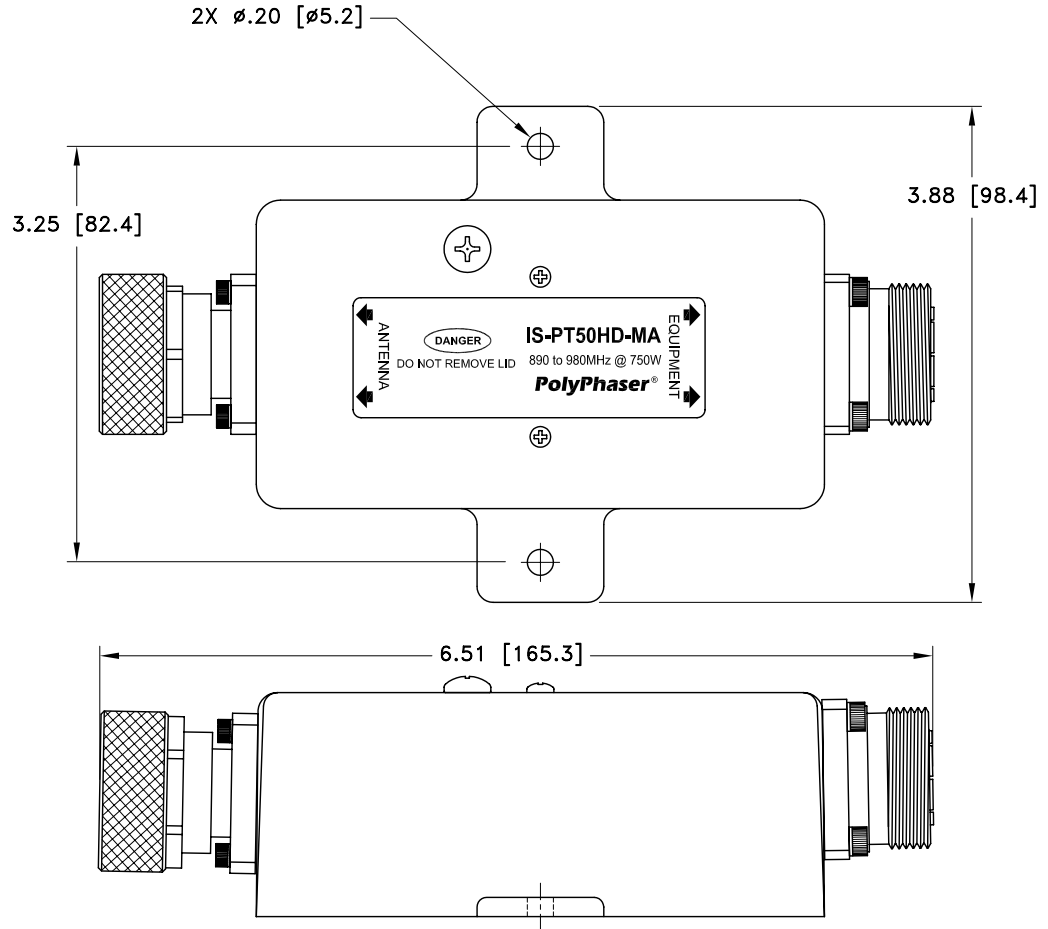
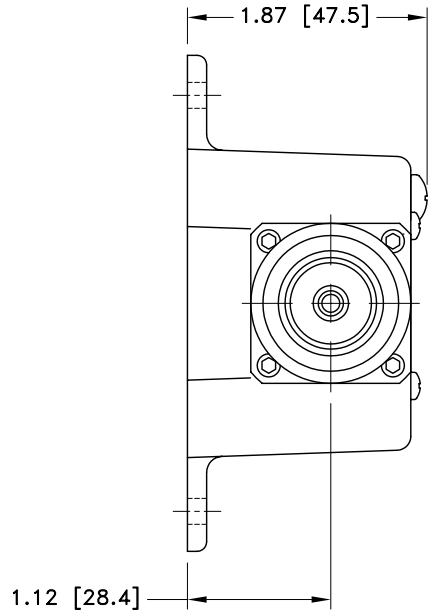


ALL DESIGN, OPERATIVE AND PROCESS DATA PERTAINING TO THE ARTICLE SHOWN ON THIS SHEET IS THE PROPERTY OF POLYPHASER CORPORATION. THE INFORMATION IS NOT TO BE COPIED, REPRODUCED, REVEALED TO OR APPROPRIATED BY OTHERS WITHOUT THE EXPRESS WRITTEN CONSENT OF POLYPHASER CORPORATION.

REVISIONS				
REV LTR	DATE	ENG	MKTG	Q.A.
A	04/27/98 <sub>JCG</sub>	KCB	--	RM
B	03/15/01 <sub>IB</sub>	KCB	PH	RM



**MAXIMUM CHARACTERISTICS**

TURN-ON:  
1200Vdc  
FREQUENCY RANGE:  
890MHz TO 980MHz  
VSWR:  
≤1.1 TO 1 OVER FREQUENCY RANGE  
INSERTION LOSS:  
≤0.1dB OVER FREQUENCY RANGE  
POWER:  
750W SINGLE CHANNEL  
THROUGHPUT ENERGY:  
≤10μJ FOR 8/20μs WAVEFORM  
OPERATING TEMPERATURE:  
-25°C TO +50°C  
STORAGE TEMPERATURE:  
-25°C TO +50°C  
RELATIVE HUMIDITY:  
90% AT 40°C  
VIBRATION:  
1G AT 5Hz TO 100Hz

CUSTOMER APPROVAL: \_\_\_\_\_ DATE: \_\_\_\_\_

ALL DIMENSIONS SHOWN ABOVE ARE FOR REFERENCE ONLY.

DRAFTER J. CALLISTER	DATE 04/08/97	<b>PolyPhaser®</b> P.O. BOX 9000, MINDEN, NV 89423-9000 (775) 782-2511 FAX (775) 782-4476 IS-PT50HD-MA CUSTOMER PRINT			
MECH ENGINEER - - - - -	DATE - - - - -				
ELEC ENGINEER J. JONES	DATE 04/14/97				
MARKETING - - - - -	DATE - - - - -				
QUALITY DEPT R. MATHEUS	DATE 04/15/07	CAGE CODE 61114	FILE NAME -C1	SCALE 1/1.5	SHEET 1 OF 1