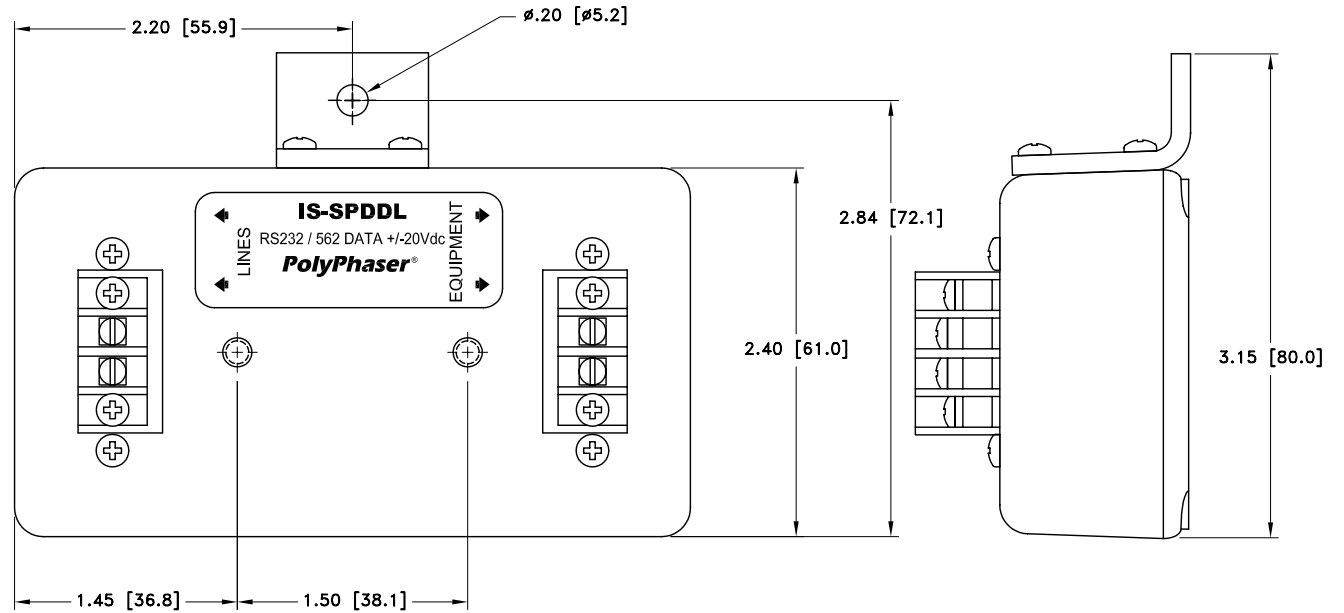
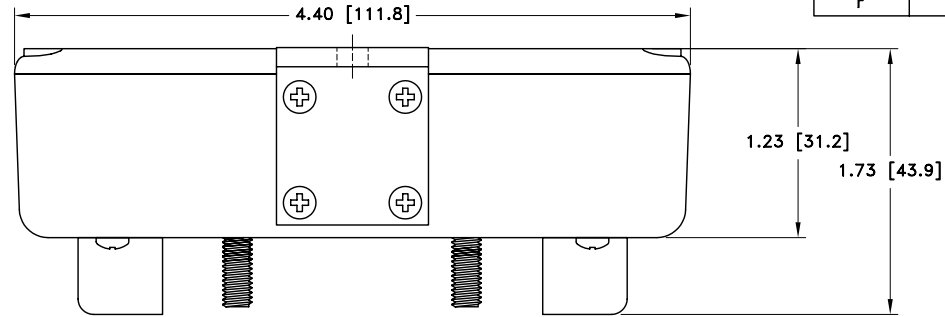


ALL DESIGN, OPERATIVE AND PROCESS DATA PERTAINING TO THE ARTICLE SHOWN ON THIS SHEET IS THE PROPERTY OF POLYPHASER CORPORATION. THE INFORMATION IS NOT TO BE COPIED, REPRODUCED, REVEALED TO OR APPROPRIATED BY OTHERS WITHOUT THE EXPRESS WRITTEN CONSENT OF POLYPHASER CORPORATION.

REVISIONS				
REV LTR	DATE	ENG	MKTG	Q.A.
C	07/14/98 ^{SH}	AG	--	RM
D	04/14/99 ^{JC}	AG	TF	RM
E	12/16/99 ^{SH}	M.M	P.H	R.M
F	03/02/01 ^{JC}	KCB	PH	RM



MAXIMUM CHARACTERISTICS

SURGE:
 36kA ANSI C62.1 8/20 WAVEFORM
 TURN-ON:
 ±20Vdc ±5%
 RESISTANCE:
 1 OHM
 CAPACITANCE TO GROUND:
 30pF
 TOTAL SURGE ENERGY:
 425J
 LET THROUGH:
 24Vp
 BANDWIDTH:
 120MHz

CUSTOMER APPROVAL: _____ DATE: _____

ALL DIMENSIONS SHOWN ABOVE ARE FOR REFERENCE ONLY.

DRAFTER D. SCHARMANN	DATE 03/28/91	PolyPhaser® P.O. BOX 9000, MINDEN, NV 89423-9000 (775) 782-2511 FAX (775) 782-4476 DWG NO/PART NO/DESCRIPTION IS-SPDDL CUSTOMER PRINT			
MECH ENGINEER -----	DATE -----				
ELEC ENGINEER J. JONES	DATE 03/28/91				
MARKETING -----	DATE -----				
QUALITY DEPT N. JOHN	DATE 03/25/91	CAGE CODE 61114	FILE NAME -C1	SCALE 1/1.25	SHEET 1 OF 1