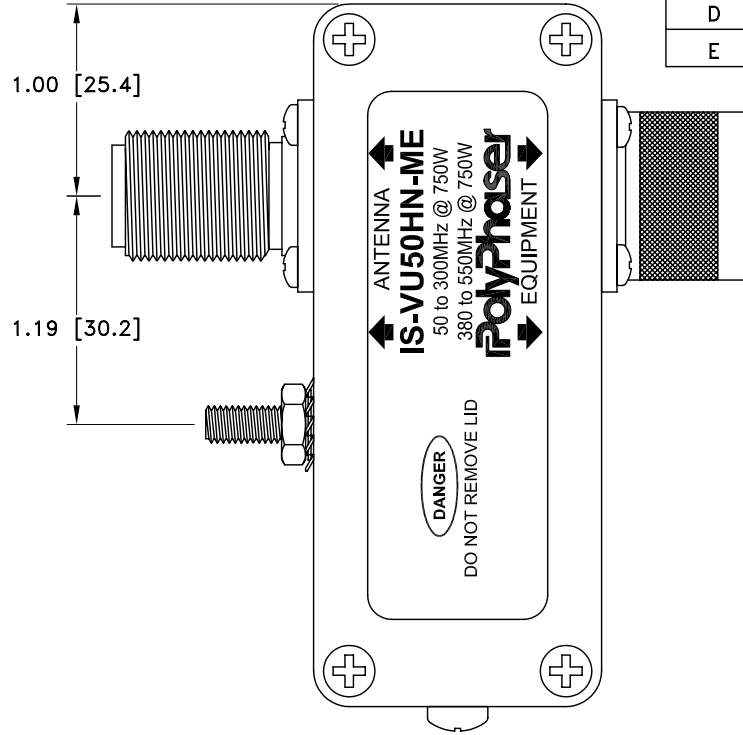
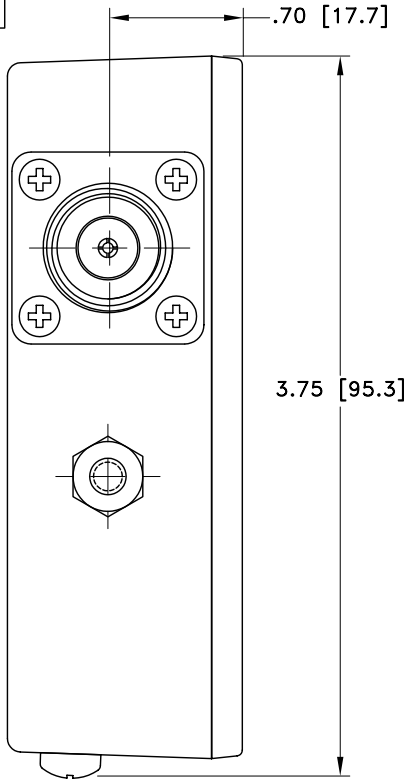


ALL DESIGN, OPERATIVE AND PROCESS DATA PERTAINING TO THE ARTICLE SHOWN ON THIS SHEET IS THE PROPERTY OF POLYPHASER CORPORATION. THE INFORMATION IS NOT TO BE COPIED, REPRODUCED, REVEALED TO OR APPROPRIATED BY OTHERS WITHOUT THE EXPRESS WRITTEN CONSENT OF POLYPHASER CORPORATION.



REVISIONS				
REV LTR	DATE	ENG	MKTG	Q.A.
C	01/08/99 <sub>JC</sub>	KCB	--	RM
D	05/14/01 <sub>IB</sub>	RCD	PH	RM
E	11/19/02 <sub>IB</sub>	LC	SD	LJ

### MAXIMUM CHARACTERISTICS

**SURGE:**  
50kA IEC 1000-4-5 8/20 $\mu$ s WAVEFORM

**TURN-ON:**  
+1800Vdc  $V_t=1200V$

**TURN-ON TIME:**  
15ns FOR 2kV/ns

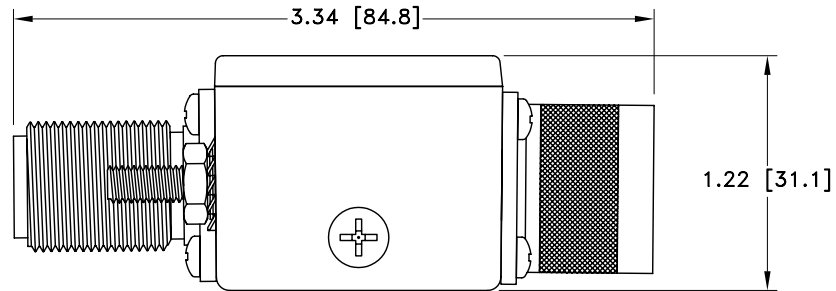
**FREQUENCY RANGE:**  
VHF: 50MHz TO 300MHz  
UHF: 380MHz TO 550MHz

**VSWR:**  
 $\leq 1.1:1$  OVER FREQUENCY RANGE

**INSERTION LOSS:**  
 $\leq 0.05dB$  50 TO 290MHz, 360 TO 550MHz  
 $\leq 0.15dB$  290 TO 360MHz

**MAX. POWER:**  
750W SINGLE CHANNEL

**TEMPERATURE:**  
-25°C TO +50°C STORAGE/OPERATING



CUSTOMER APPROVAL: \_\_\_\_\_ DATE: \_\_\_\_\_

ALL DIMENSIONS SHOWN ABOVE ARE FOR REFERENCE ONLY.

DRAFTER J. CALLISTER	DATE 11/26/96
MECH ENGINEER -----	DATE -----
ELEC ENGINEER K. BARTEL	DATE 12/10/96
MARKETING -----	DATE -----
QUALITY DEPT R. MATHEUS	DATE 12/11/96

**PolyPhaser**  
P.O. BOX 9000 MINDEN, NY 89423 TEL: 775-782-2511 FAX: 775-782-4476  
DWG NO/PART NO/DESCRIPTION

**IS-VU50HN-ME**  
CUSTOMER PRINT

CAGE CODE 61114	FILE NAME -C1	SCALE 1/1	SHEET 1 OF 1
--------------------	------------------	--------------	-----------------