

ALL DESIGN, OPERATIVE AND PROCESS DATA PERTAINING TO THE ARTICLE SHOWN ON THIS SHEET IS THE PROPERTY OF POLYPHASER CORPORATION. THE INFORMATION IS NOT TO BE COPIED, REPRODUCED, REVEALED TO OR APPROPRIATED BY OTHERS WITHOUT THE EXPRESS WRITTEN CONSENT OF POLYPHASER CORPORATION.

REVISIONS

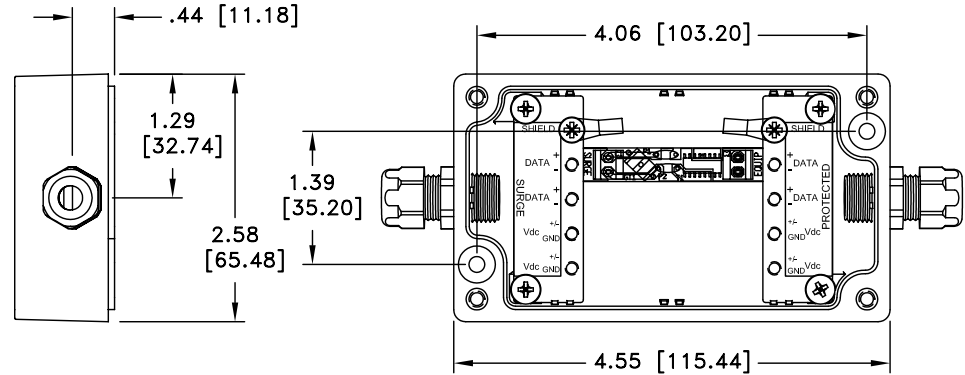
REV LTR	DATE	ENG	MKTG	Q.A.
---------	------	-----	------	------

**MAXIMUM CHARACTERISTICS DATA**

TURN-ON(@10mA):  
 +9Vdc ±10%  
 UL 497B STRIKE VOLTAGE BREAKDOWN  
 (100 Vdc /SEC RISE):  
 +8.4 TO +9.6 Vdc  
 RESISTANCE:  
 1Ω ±20%  
 DATA RATE:  
 UP TO 100Mbps  
 MAX HOLDING CURRENT:  
 400mA @ +20°C  
 620mA @ -40°C  
 290mA @ +50°C

**GENERAL CHARACTERISTICS**

SURGE:  
 BELLCORE 1089 10/1000μs 100A  
 TEMPERATURE:  
 -40°C TO +65°C STORAGE/OPERATING +50°C  
 WIRE RANGE:  
 16 TO 28 AWG.  
 CORD DIAMETER:  
 0.114 TO 0.250 INCH  
 APPLICATION:  
 WEATHERIZED AFTER PROPER TORQUE OF LID AND THRU FITTINGS, PANEL MOUNT.  
 ENVIRONMENTAL:  
 MEETS BELLCORE #TA-NWT-000487 PROCEDURE 4.11,  
 WIND DRIVEN RAIN (70MPH) RAIN INTRUSION TEST.




CUSTOMER APPROVAL: \_\_\_\_\_ DATE: \_\_\_\_\_

ALL DIMENSIONS SHOWN ABOVE ARE FOR REFERENCE ONLY.

NOTES:

1. TORQUE 4X M4-20MM LID SCREWS TO 11 lbf-in MINIMUM.
2. ENSURE THAT ALL THRU FITTINGS ARE TORQUED FOR ENVIRONMENTAL SPECIFICATIONS.

DRAFTER R. SWART	DATE 11/05/03	 P.O. BOX 9000 MINDEN, NV 89423 TEL: 775-782-2511 FAX: 775-782-4476 DWG NO/PART NO/DESCRIPTION IX-1H/W CUSTOMER PRINT	
MECH ENGINEER R. DUNNING	DATE 11/06/03		
ELEC ENGINEER L. CHANG	DATE 11/05/03		
MARKETING S. DOTTER	DATE 11/05/03		
QUALITY DEPT L. JACQUES	DATE 11/05/03		
CAGE CODE 61114	FILE NAME -C1	SCALE 1/1	SHEET 1 OF 1