

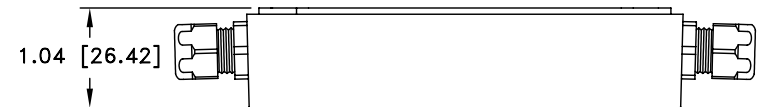
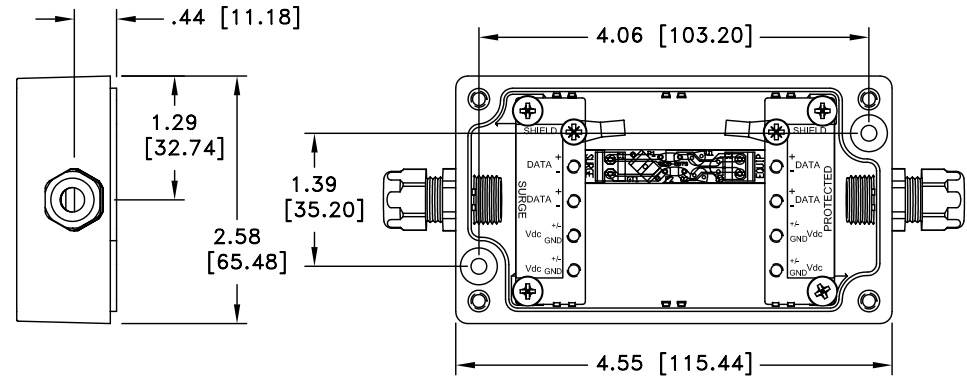
ALL DESIGN, OPERATIVE AND PROCESS DATA PERTAINING TO THE ARTICLE SHOWN ON THIS SHEET IS THE PROPERTY OF POLYPHASER CORPORATION. THE INFORMATION IS NOT TO BE COPIED, REPRODUCED, REVEALED TO OR APPROPRIATED BY OTHERS WITHOUT THE EXPRESS WRITTEN CONSENT OF POLYPHASER CORPORATION.

REVISIONS

REV LTR	DATE	ENG	MKTG	Q.A.
---------	------	-----	------	------


MAXIMUM CHARACTERISTICS DATA	
TURN-ON (@10mA):	±210Vdc ±10% TYPICAL
RESISTANCE:	1Ω ±20%
DATA RATE:	UP TO 25Mbps
MAX HOLDING CURRENT:	400mA @ +20°C
	620mA @ -40°C
	290mA @ +50°C

GENERAL CHARACTERISTICS	
SURGE:	BELLCORE 1089 10/1000 _μ s 100A
TEMPERATURE:	-40°C TO +65°C STORAGE/OPERATING +50°C
WIRE RANGE:	16 TO 28 AWG.
CORD DIAMETER:	0.114 TO 0.250 INCH
APPLICATION:	WEATHERIZED AFTER PROPER TORQUE OF LID AND THRU FITTINGS, PANEL MOUNT.
ENVIRONMENTAL:	MEETS BELLCORE #TA-NWT-000487 PROCEDURE 4.11, WIND DRIVEN RAIN (70MPH) RAIN INTRUSION TEST.



CUSTOMER APPROVAL: _____ DATE: _____

ALL DIMENSIONS SHOWN ABOVE ARE FOR REFERENCE ONLY.

DRAFTER	R. SWART	DATE	12/14/04	 P.O. BOX 9000 MINDEN, NV 89423 TEL: 775-782-2511 FAX: 775-782-4476 DWG NO/PART NO/DESCRIPTION IX-1T/W CUSTOMER PRINT			
MECH ENGINEER	R. SWART	DATE	01/07/05				
ELEC ENGINEER	L. CHANG	DATE	01/04/05				
MARKETING	S. DOTTER	DATE	01/06/05				
QUALITY DEPT	L JACQUES	DATE	01/06/05				
CAGE CODE	61114	FILE NAME	-C1	SCALE	1/1	SHEET	1 OF 1

NOTES:

- TORQUE 4X M4-20MM LID SCREWS TO 11 lbf-in MINIMUM.
- ENSURE THAT ALL THRU FITTINGS ARE TORQUED FOR ENVIRONMENTAL SPECIFICATIONS.