

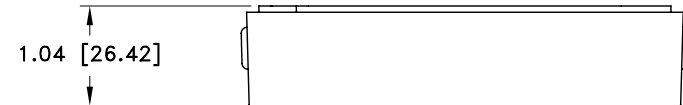
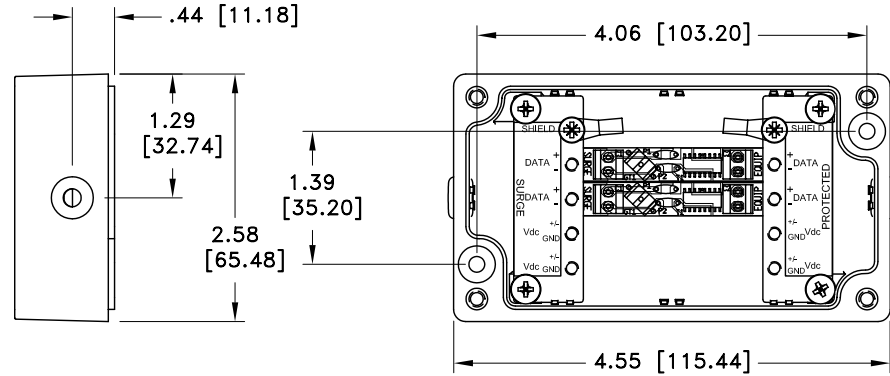
ALL DESIGN, OPERATIVE AND PROCESS DATA PERTAINING TO THE ARTICLE SHOWN ON THIS SHEET IS THE PROPERTY OF POLYPHASER CORPORATION. THE INFORMATION IS NOT TO BE COPIED, REPRODUCED, REVEALED TO OR APPROPRIATED BY OTHERS WITHOUT THE EXPRESS WRITTEN CONSENT OF POLYPHASER CORPORATION.

REVISIONS

REV LTR	DATE	ENG	MKTG	Q.A.
A	10/07/03 ^{RS}	LC	SD	LJ


MAXIMUM CHARACTERISTICS DATA
TURN-ON(@10mA): +9Vdc ±10%
UL 497B STRIKE VOLTAGE BREAKDOWN (100 Vdc /SEC RISE): +8.4 TO +9.6 Vdc
RESISTANCE: 1Ω ±20%
DATA RATE: UP TO 100Mbps
MAX HOLDING CURRENT:
400mA @ +20°C
620mA @ -40°C
290mA @ +50°C

GENERAL CHARACTERISTICS
SURGE: BELLCORE 1089 10/1000μs 100A
TEMPERATURE: -40°C TO +65°C STORAGE/OPERATING +50°C
WIRE RANGE: 16 TO 28 AWG.
APPLICATION: INDOOR PANEL MOUNT



CUSTOMER APPROVAL: _____ DATE: _____

ALL DIMENSIONS SHOWN ABOVE ARE FOR REFERENCE ONLY.

DRAFTER R. SWART	DATE 08/18/03	 P.O. BOX 9000 MINDEN, NV 89423 TEL: 775-782-2511 FAX: 775-782-4476 DWG NO/PART NO/DESCRIPTION IX-2H CUSTOMER PRINT			
MECH ENGINEER R. DUNNING	DATE 08/21/03				
ELEC ENGINEER L. CHANG	DATE 08/19/03				
MARKETING S. DOTTER	DATE 08/19/03				
QUALITY DEPT L. JACQUES	DATE 08/19/03	CAGE CODE 61114	FILE NAME -C1	SCALE 1/1	SHEET 1 OF 1

NOTES:

- TORQUE 4X M4-20MM LID SCREWS TO 11 lbf-in MINIMUM.