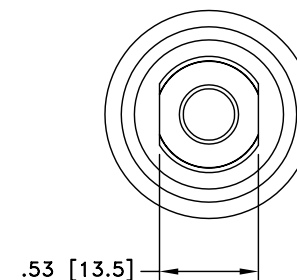
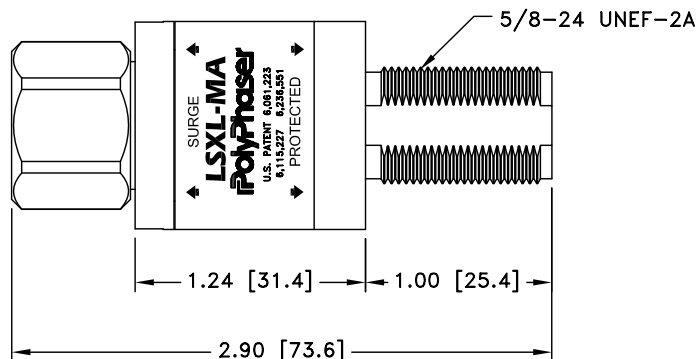
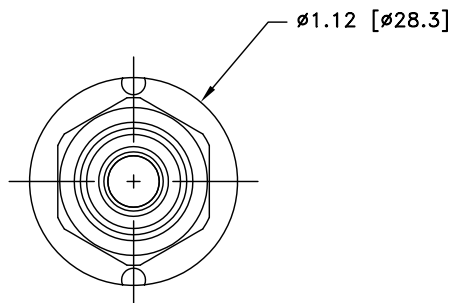


ALL DESIGN, OPERATIVE AND PROCESS DATA PERTAINING TO THE ARTICLE SHOWN ON THIS SHEET IS THE PROPERTY OF POLYPHASER CORPORATION. THE INFORMATION IS NOT TO BE COPIED, REPRODUCED, REVEALED TO OR APPROPRIATED BY OTHERS WITHOUT THE EXPRESS WRITTEN CONSENT OF POLYPHASER CORPORATION.

REVISIONS

REV LTR	DATE	ENG	MKTG	Q.A.
A	03/25/04 RS	JJ	SD	LJ



MAXIMUM CHARACTERISTICS

APPLICATION:

BULKHEAD MOUNT
WEATHERPROOF WHEN INSTALLED

SURGE:

18kA IEC 61000-4-5 8/20µs WAVEFORM

FREQUENCY RANGE:

1.8GHz TO 3.8GHz
4.2GHz TO 6.0GHz

VSWR:

≤1.2:1 TYPICAL
≤1.3:1 MAX

INSERTION LOSS:

≤0.2dB

CONTINUOUS POWER:

10W

LET THROUGH VOLTAGE:

≤±3 VOLTS FOR 3kA @ 8/20µs WAVEFORM

THROUGHPUT ENERGY:

≤0.5µJ FOR 3kA @ 8/20µs WAVEFORM

TEMPERATURE:

-40°C TO +85°C STORAGE/OPERATING

VIBRATION:


1G AT 5Hz TO 100Hz

ENVIRONMENTAL:

MEETS IEC 60529 IP65.
MEETS BELLCORE #TA-NWT-000487
PROCEDURE 4.11, WIND DRIVEN (120MPH)
RAIN INTRUSION TEST.

CUSTOMER APPROVAL: _____ DATE: _____

ALL DIMENSIONS SHOWN ABOVE ARE FOR REFERENCE ONLY.

DRAFTER R. SWART	DATE 12/08/03	 P.O. BOX 9000 MINDEN, NV 89423 TEL: 775-782-2511 FAX: 775-782-4476 DWG NO/PART NO/DESCRIPTION LSXL-MA CUSTOMER PRINT	
MECH ENGINEER R. DUNNING	DATE 03/25/04		
ELEC ENGINEER J. JONES	DATE 03/25/04		
MARKETING S. DOTTER	DATE 03/26/04		
QUALITY DEPT L. JACQUES	DATE 03/25/04		
CAGE CODE 61114	FILE NAME -C1	SCALE 1/1	SHEET 1 OF 1