

SNAPSIC 4P

10 000 h / 85°C

2 500 h / 105°C

| | | | | |
|---------------|----------------------|------------------|-----------------------------|------|
| 16500 V | 330 150 000 µF | Ø 35 45 mm | - 55°C/+ 85°C/56 jours/days | L.L. |
|---------------|----------------------|------------------|-----------------------------|------|

4 cosses SNAP-IN

4 SNAP-IN terminals

Spécifications applicables

CECC 30 300 Longue durée
DIN 41 240 - Classe d'utilisation FPF
CEI 60 384.4 longue durée

Utilisation

- Montage sur circuits imprimés
- Alimentations à découpage
- Courants impulsionsnels

Fixations : Cosses SNAP-IN

Tolérance sur capacité à 20°C : ± 20 %
Température de stockage : - 65°C + 105°C
Température d'utilisation : - 55°C + 105°C

Tenue de la gaine isolante

Résistance d'isolement à 20°C entre cosses et fixation :
100 MΩ
Tension de tenue à 50 Hz 1 min. entre cosses et fixation : 2000 V
Résistance au feu : autoextinguible 15 s (CEI 60 695-2-2)

Specifications

CECC 30 300 Long life
DIN 41 240 - Climatic category FPF
IEC 60 384.4 long life

Applications

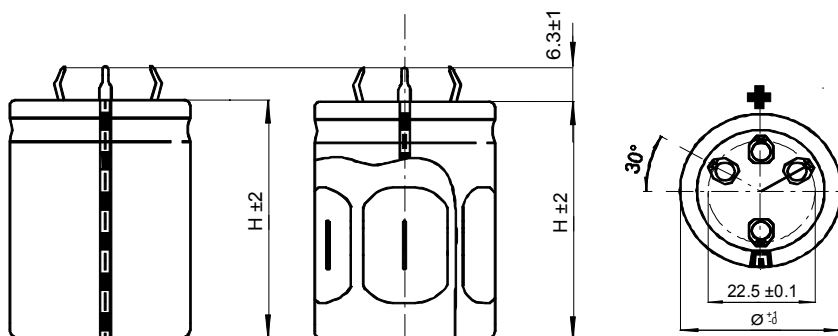
- Printed circuit mounting
- Switch mode power supplies
- Impulse current

Fixing : SNAP-IN pins

Tolerance on capacitance at 20°C : ± 20 %
Storage temperature : - 65°C + 105°C
Operating temperature : - 55°C + 105°C

Withstand strength of insulating sleeve

Insulation resistance at 20°C between pins and mounting hardware : 100 MΩ
Test voltage at 50 Hz 1 min. between terminals and mounting hardware : 2000 V
Fire resistance : self extinguish 15 s (IEC 60 695-2-2)



Ø de perçage : 2 ± 0,1
Epaisseur du circuit imprimé : 1,5 mm
ØPC board holes : 2 ± 0.1
Thickness of PC board : 1.5 mm

Les deux cosses près de la sortie positive servent uniquement pour la tenue mécanique et doivent être électriquement isolées des 2 sorties positive et négative.

Dummy pins near positive terminal are for mechanical support only. They must be electrically insulated from the positive and the negative terminals.

| Boîtiers Can size | Ø (mm) | H (mm) |
|----------------------|-----------|-----------|
| 1 | 35 | 50 |
| 2 | 35 | 75 |
| 3 | 35 | 100 |
| 4 | 40 | 40 |
| 5 | 40 | 50 |
| 6 | 40 | 75 |
| 7 | 40 | 100 |
| 8 | 45 | 45 |
| 9 | 45 | 50 |
| 10 | 45 | 75 |
| 11 | 45 | 100 |

Tenue en vibrations / Resistance to vibrations

| Hauteur / Height | H = 40, 45, 50 | |
|------------------|----------------------------|-----------------------------|
| | Fréquence / Frequency | 10 - 500 Hz |
| Amplitude | 0,75 mm | 1,5 mm |
| Accélération max | 10 g - 98 m/s ² | 20 g - 196 m/s ² |
| Durée / Duration | 3 x 2 h | 3 x 2 h |

(1) et sur demande pour H = 40, 45, 50
and on request for H = 40, 45, 50

SNAPSIC 4P

10 000 h / 85°C

2 500 h / 105°C

| Un/U _R Up | Cn/C _R | Dimension Dimension Ø x H | Boîtier Can sizes | Tgδ/Tan δ | Rs/ESR | Z | If / I _l | I~ | | Code |
|-------------------------|-------------------|---------------------------------|----------------------|-----------------------|-----------------------|-----------------------|-----------------------|-----------------------|----------------|---------|
| | | | | 100 Hz 20°C Max | 100 Hz 20°C Typ | 10 kHz 20°C Typ | 5 min. 20°C Max | 100 Hz 40°C Max | 100 Hz 85°C | |
| V | µF | mm | | % | mΩ | mΩ | mA | A | A | |
| 16/18 | 47000 | 35 x 50 | 1 | 55 | 15 | 15 | 4.5 | 20 | 8.0 | A714020 |
| | 47000 | 40 x 40 | 4 | 55 | 15 | 15 | 4.5 | 20 | 7.9 | A714030 |
| | 68000 | 35 x 50 | 1 | 67 | 12 | 10 | 6.5 | 20 | 9.0 | A714021 |
| | 100000 | 35 x 75 | 2 | 82 | 10 | 8 | 9.6 | 20 | 12.0 | A714023 |
| | 100000 | 45 x 45 | 8 | 82 | 10 | 8 | 9.6 | 20 | 11.0 | A714035 |
| | 150000 | 40 x 100 | 7 | 122 | 10 | 8 | 14.0 | 20 | 14.0 | A714034 |
| 25/30 | 33000 | 35 x 50 | 1 | 70 | 20 | 18 | 5.0 | 20 | 7.0 | A714040 |
| | 33000 | 40 x 40 | 4 | 100 | 38 | 20 | 5.0 | 15 | 5.0 | A714050 |
| | 47000 | 35 x 75 | 2 | 62 | 15 | 13 | 7.1 | 20 | 9.6 | A714043 |
| | 47000 | 40 x 50 | 5 | 62 | 15 | 13 | 7.1 | 20 | 8.7 | A714051 |
| | 68000 | 40 x 75 | 6 | 67 | 12 | 10 | 10.0 | 20 | 13.0 | A714053 |
| | 100000 | 40 x 100 | 7 | 82 | 10 | 8 | 15.0 | 20 | 16.0 | A714054 |
| 40/48 | 22000 | 35 x 50 | 1 | 43 | 24 | 17 | 5.2 | 19 | 6.4 | A714060 |
| | 22000 | 40 x 40 | 4 | 65 | 36 | 24 | 5.2 | 15 | 5.1 | A714070 |
| | 33000 | 35 x 75 | 2 | 47 | 15 | 13 | 7.9 | 20 | 9.6 | A714063 |
| | 33000 | 45 x 45 | 8 | 47 | 15 | 13 | 7.9 | 20 | 8.9 | A714075 |
| | 47000 | 35 x 100 | 3 | 53 | 12 | 10 | 11.0 | 20 | 12.0 | A714064 |
| | 47000 | 40 x 75 | 6 | 53 | 12 | 9 | 11.0 | 20 | 12.0 | A714073 |
| 50/58 | 15000 | 35 x 50 | 1 | 38 | 26 | 18 | 4.5 | 18 | 6.1 | A714080 |
| | 15000 | 40 x 40 | 4 | 38 | 26 | 18 | 4.5 | 18 | 6.0 | A714090 |
| | 22000 | 35 x 75 | 2 | 40 | 22 | 16 | 6.6 | 20 | 7.9 | A714083 |
| | 22000 | 40 x 50 | 5 | 48 | 35 | 17 | 6.6 | 17 | 5.7 | A714091 |
| | 33000 | 40 x 75 | 6 | 48 | 18 | 14 | 9.9 | 20 | 9.5 | A714093 |
| | 47000 | 40 x 100 | 7 | 57 | 15 | 11 | 14.0 | 20 | 12.0 | A714094 |
| 63/76 | 10000 | 35 x 50 | 1 | 25 | 25 | 20 | 3.0 | 19 | 6.2 | A714100 |
| | 10000 | 40 x 40 | 4 | 30 | 35 | 22 | 3.0 | 16 | 5.2 | A714110 |
| | 15000 | 35 x 75 | 2 | 28 | 22 | 18 | 5.7 | 20 | 7.9 | A714103 |
| | 15000 | 45 x 45 | 8 | 28 | 22 | 18 | 5.7 | 20 | 7.4 | A714115 |
| | 22000 | 35 x 100 | 3 | 32 | 18 | 15 | 8.3 | 20 | 10.0 | A714104 |
| | 22000 | 40 x 75 | 6 | 32 | 18 | 13 | 8.3 | 20 | 10.0 | A714113 |
| | 33000 | 45 x 75 | 10 | 43 | 16 | 11 | 11.0 | 20 | 11.0 | A714117 |
| | 47000 | 45 x 100 | 11 | 50 | 13 | 9 | 13.0 | 20 | 13.0 | A714118 |
| 80/92 | 6800 | 35 x 50 | 1 | 16 | 25 | 20 | 3.2 | 19 | 6.2 | A714120 |
| | 6800 | 40 x 40 | 4 | 22 | 35 | 25 | 3.2 | 16 | 5.2 | A714130 |
| | 8200 | 35 x 50 | 1 | 19 | 25 | 18 | 4.0 | 19 | 6.2 | A714121 |
| | 10000 | 35 x 75 | 2 | 21 | 25 | 21 | 4.8 | 20 | 7.4 | A714123 |
| | 10000 | 45 x 45 | 8 | 21 | 25 | 21 | 4.8 | 20 | 6.9 | A714135 |
| | 15000 | 35 x 100 | 3 | 24 | 20 | 16 | 7.2 | 20 | 9.5 | A714124 |
| | 15000 | 40 x 75 | 6 | 24 | 20 | 13 | 7.2 | 20 | 9.5 | A714133 |
| | 100/115 | 4700 | 35 x 50 | 1 | 11 | 28 | 20 | 2.8 | 18 | 5.9 |
| 4700 | | 40 x 40 | 4 | 15 | 38 | 25 | 2.8 | 15 | 5.0 | A714150 |
| 6800 | | 35 x 75 | 2 | 19 | 35 | 23 | 4.0 | 19 | 6.3 | A714143 |
| 6800 | | 45 x 45 | 8 | 19 | 35 | 23 | 4.0 | 18 | 5.8 | A714155 |
| 10000 | | 35 x 100 | 3 | 24 | 30 | 21 | 6.0 | 20 | 7.7 | A714144 |
| 10000 | | 40 x 75 | 6 | 24 | 30 | 20 | 6.0 | 20 | 7.7 | A714153 |
| 160/185 | 2200 | 35 x 50 | 1 | 11 | 55 | 40 | 2.1 | 13 | 4.2 | A714160 |
| | 2200 | 40 x 40 | 4 | 15 | 60 | 40 | 2.1 | 12 | 4.0 | A714170 |
| | 3300 | 35 x 75 | 2 | 10 | 40 | 30 | 3.2 | 18 | 5.9 | A714163 |
| | 3300 | 45 x 45 | 8 | 10 | 40 | 30 | 3.2 | 16 | 5.5 | A714175 |
| | 4700 | 40 x 75 | 6 | 13 | 35 | 27 | 4.5 | 20 | 6.8 | A714173 |
| 200/230 | 1500 | 35 x 50 | 1 | 11 | 80 | 55 | 1.8 | 10.0 | 3.5 | A714180 |
| | 2200 | 35 x 50 | 1 | 11 | 55 | 40 | 2.6 | 13.0 | 4.2 | A714181 |
| | 3300 | 35 x 75 | 2 | 16 | 60 | 40 | 4.0 | 14.0 | 4.8 | A714185 |
| | 3300 | 45 x 45 | 8 | 16 | 60 | 40 | 4.0 | 13.0 | 4.5 | A714196 |
| | 4700 | 40 x 75 | 6 | 20 | 50 | 30 | 5.6 | 17.0 | 5.7 | A714192 |

Radiaux à souder / Radial Solder Type

SNAPSIC 4P

10 000 h / 85°C

2 500 h / 105°C

| Un/U _R Up | Cn/C _R | Dimension Dimension Ø x H | Boîtier Can sizes | Tgδ/Tan δ 100 Hz 20°C Max | Rs/ESR 100 Hz 20°C Typ | Z 10 kHz 20°C Typ | If / II 5 min. 20°C Max | I~ 100 Hz | | Code |
|-------------------------|-------------------|---------------------------------|----------------------|------------------------------------|---------------------------------|----------------------------|----------------------------------|--------------|------|---------|
| | | | | | | | | 40°C Max | 85°C | |
| V | µF | mm | | % | mΩ | mΩ | mA | A | A | |
| 250/290 | 1500 | 35 x 50 | 1 | 10 | 70 | 50 | 2.3 | 11 | 3,7 | A714201 |
| | 1500 | 40 x 40 | 4 | 12 | 90 | 60 | 2.3 | 9.7 | 3.2 | A714209 |
| | 2200 | 35 x 75 | 2 | 12 | 65 | 45 | 3.3 | 14.0 | 4.6 | A714205 |
| | 2200 | 40 x 50 | 5 | 12 | 65 | 45 | 3.3 | 13.0 | 4.2 | A714211 |
| | 3300 | 40 x 75 | 6 | 12 | 45 | 30 | 5.0 | 18.0 | 6.0 | A714212 |
| | 4700 | 45 x 75 | 10 | 13 | 35 | 25 | 7.0 | 20.0 | 7.2 | A714216 |
| 350/385 | 1000 | 35 x 50 | 1 | 10 | 80 | 60 | 2.1 | 10,0 | 3,5 | A714221 |
| | 1500 | 35 x 75 | 2 | 12 | 70 | 40 | 3.2 | 13.0 | 4.4 | A714222 |
| | 1500 | 45 x 50 | 9 | 12 | 90 | 60 | 3,2 | 11 | 3,8 | A714236 |
| | 2200 | 45 x 75 | 10 | 12 | 54 | 33 | 4.6 | 17.0 | 5.8 | A714237 |
| | 3300 | 45 x 100 | 11 | 14 | 45 | 30 | 6,9 | 20 | 8,0 | A714238 |
| 385/425 | 560 | 40 x 40 | 4 | 10 | 160 | 100 | 1.3 | 7.3 | 2.4 | A714250 |
| | 680 | 35 x 50 | 1 | 10 | 180 | 140 | 1.6 | 7.0 | 2.3 | A714241 |
| | 1000 | 35 x 75 | 2 | 10 | 110 | 80 | 2.3 | 11.0 | 3.5 | A714242 |
| | 1000 | 45 x 45 | 8 | 10 | 110 | 80 | 2.3 | 11.0 | 3.7 | A714255 |
| | 1500 | 40 x 75 | 6 | 10 | 80 | 60 | 3.5 | 13.0 | 4.5 | A714252 |
| | 2200 | 45 x 100 | 11 | 13 | 70 | 50 | 5.1 | 17.0 | 5.8 | A714258 |
| 400/450 | 560 | 35 x 50 | 1 | 12 | 220 | 160 | 1.9 | 6.3 | 2.1 | A714260 |
| | 680 | 35 x 50 | 1 | 12 | 210 | 150 | 2.1 | 6.4 | 2.1 | A714261 |
| | 1000 | 35 x 75 | 2 | 12 | 120 | 80 | 2.5 | 10.0 | 3.4 | A714262 |
| | 1000 | 45 x 45 | 8 | 12 | 130 | 90 | 2.5 | 9.1 | 3.0 | A714275 |
| | 1200 | 45 x 50 | 9 | 12 | 120 | 80 | 2,8 | 10 | 3,3 | A714276 |
| | 1500 | 40 x 75 | 6 | 12 | 100 | 70 | 3.1 | 12.0 | 4.0 | A714272 |
| | 2200 | 45 x 100 | 11 | 14 | 80 | 50 | 3,8 | 16.0 | 5.4 | A714278 |
| 450/500 | 470 | 35 x 50 | 1 | 13 | 250 | 170 | 2.8 | 5.9 | 2.0 | A714280 |
| | 470 | 40 x 40 | 4 | 13 | 250 | 170 | 2.8 | 5.8 | 1.9 | A714290 |
| | 560 | 35 x 50 | 1 | 13 | 180 | 120 | 3.0 | 7.0 | 2.3 | A714281 |
| | 680 | 35 x 75 | 2 | 13 | 140 | 100 | 3.3 | 9.4 | 3.1 | A714283 |
| | 680 | 45 x 45 | 8 | 13 | 150 | 110 | 3.3 | 8.8 | 2.9 | A714295 |
| | 820 | 35 x 75 | 2 | 13 | 140 | 90 | 3.6 | 9.4 | 3.1 | A714285 |
| | 820 | 45 x 45 | 8 | 13 | 140 | 90 | 3.6 | 8.8 | 2.9 | A714296 |
| | 1000 | 35 x 100 | 3 | 13 | 120 | 90 | 4.1 | 12.0 | 3.9 | A714284 |
| | 1000 | 40 x 75 | 6 | 13 | 120 | 90 | 4.1 | 11.0 | 3.7 | A714293 |
| | 1000 | 45 x 50 | 9 | 13 | 130 | 80 | 4,1 | 9,5 | 3,2 | A714299 |
| | 1500 | 45 x 75 | 10 | 14 | 110 | 80 | 4.9 | 12.0 | 4.1 | A714297 |
| | 2200 | 45 x 100 | 11 | 16 | 90 | 60 | 6.0 | 15,0 | 5,1 | A714298 |
| 500/550 | 330 | 35 x 50 | 1 | 13 | 360 | 270 | 2.4 | 4.9 | 1.6 | A714301 |
| | 470 | 35 x 75 | 2 | 13 | 320 | 230 | 2.9 | 6.2 | 2.1 | A714303 |
| | 470 | 45 x 45 | 8 | 13 | 360 | 260 | 2.9 | 5.5 | 1.8 | A714315 |
| | 680 | 40 x 75 | 6 | 13 | 240 | 170 | 3.5 | 7.8 | 2.6 | A714313 |
| | 1000 | 45 x 75 | 10 | 14 | 160 | 120 | 4.2 | 10.0 | 3.4 | A714317 |
| | 1500 | 45 x 100 | 11 | 16 | 130 | 90 | 5.2 | 13.0 | 4.3 | A714319 |

SNAPSIC 4P

10 000 h / 85°C

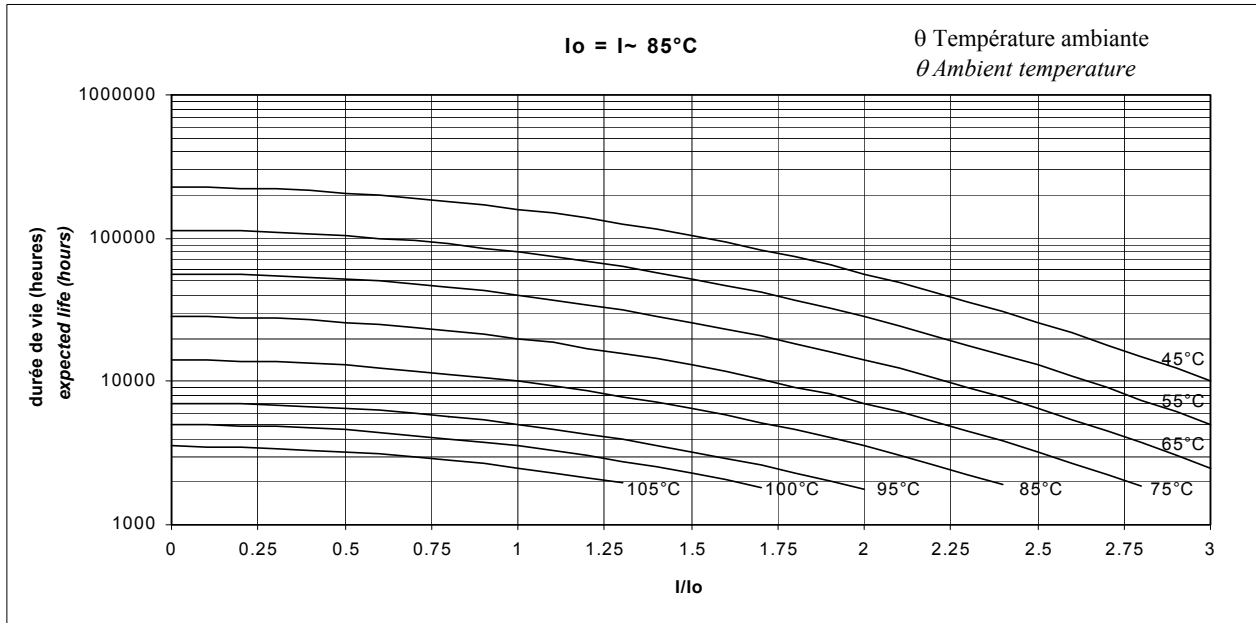
2 500 h / 105°C

Durée de vie estimée

en fonction de la température et du courant ondulé :

Expected life

as a function of temperature and ripple current :



Courant ondulé admissible I (valeur efficace)

en fonction de la fréquence F

I~ : courant admissible à 100 Hz

Permissible ripple current I (r.m.s. value)

versus frequency F :

I~ : permissible r.m.s. current at 100 Hz

| F (Hz) | 50 | 100 | 300 | 600 | 1000 | 10 000 | ≥ 50 000 |
|--------|----------|-----|----------|----------|-----------|----------|----------|
| I | 0,8 x I~ | I~ | 1,2 x I~ | 1,3 x I~ | 1,35 x I~ | 1,5 x I~ | 1,6 x I~ |

Radiaux à souder / Radial Solder Type