

Rotary Joint || BN 637493

## Contactless Data and Power Transmission (24 V / 300 W)



This combination of contactless data and power channels offers improved lifetime without the need for maintenance. The contactless design allows very high rotational speeds in comparison to slip ring designs.

The data channels are realized by rotating capacitive couplers and the power channel is based on an inductive technology.

- POWERLINK
- PROFINET
- EtherCAT
- SERCOS III
- EtherNet/IP
- VARAN
- IEEE-1588 v2 (PTP)

### Available configurations

Type	Description	Standard product ordering number
4	1 Channel ethernet for real-time applications 100BASE-TX, full duplex	637493C0004
7	2 Channel ethernet (multiplexed) for real-time applications 100BASE-TX, full duplex	637493C0007

### Transmission type 4

<b>100BASE-TX Ethernet Channel</b>	One signal channel provided
Supported ethernet standards	100BASE-TX (IEEE802.3 Clause 25), autonegotiation (full duplex only)
Supported protocols	Real-time ethernet protocols
OSI layer operation	Layer 1 (physical)
Ethernet frame loss ratio according to RFC2544	$\leq 1 \times 10^{-9}$ Measured for 8000s with 64 byte frames at 99% channel utilization, corresponds to BER $\leq 1 \times 10^{-12}$
Data interface connection	Cat.6A S/FTP 4x2xAWG26/7 (PiMF) at body and hollow shaft side (or special cable type according to specific circuit diagram)

SPINNER GmbH  
 This document is proprietary to us.  
 All rights reserved. Any use, transfer, or reproduction of this document  
 or the know-how contained therein requires our express consent.

Template TD-00015N

Rotary Joint || BN 637493

**Transmission type 7**

<b>100BASE-TX Ethernet Channel</b>	Two signal channels over one contactless transmission channel, signals are multiplexed, no redundancy
Supported ethernet standards	100BASE-TX (IEEE802.3 Clause 25), autonegotiation (full duplex only)
Supported protocols	Real-time ethernet protocols
OSI layer operation	Layer 1 (physical)
Multiplexer	Time Domain Multiplexing
Ethernet frame loss ratio according to RFC2544	$\leq 1 \times 10^{-9}$ Measured for 8000s with 64 byte frames at 99% channel utilization, corresponds to BER $\leq 1 \times 10^{-12}$
Data interface connection	Cat.6A S/FTP 4x2xAWG26/7 (PiMF) at body and hollow shaft side (or special cable type according to specific circuit diagram)

**Operating condition for data transmission**

Power Consumption, typ. / max.	8 W / 12 W
Interface type DC-Input	Internally wired

**Operating condition for DC power transmission**

Output power nom.	300 W
External power supply	Power Supply has to be a ES1 type acc. to DIN EN 62368-1
External power fuse	The current must be externally limited to 20 A
Interface type DC-Input	PUR cable, 2x 1,5mm <sup>2</sup> , shielded, flying leads
Interface type DC-Output	PUR cable, 2x 1,5mm <sup>2</sup> , shielded, flying leads
Input voltage range	24 V DC $\pm$ 10%
Inrush Current, typ	6 A internally limited during power up
Output voltage	24 V DC $\pm$ 5% potential free against case ground and data channels
Output voltage ripple, max.	$\pm$ 150 mV
Output current, continuous	13.2 A Power derating dependent on case temperature and input voltage
Efficiency at external load, typ.	85% @ full load
Type of external load	Resistive
Output overcurrent protection	Hiccup mode
Output short circuit proof	Hiccup mode

SPINNER GmbH  
 This document is proprietary to us.  
 All rights reserved. Any use, transfer, or reproduction of this document  
 or the know-how contained therein requires our express consent.

Template TD-00015N

Rotary Joint || BN 637493

**Standards and directives**

Applicable EU Directive	EMC Directive 2014/30/EU	
Applied standards	DIN EN 55032 (Class B)	Radio disturbance characteristics
	DIN EN 55024	Immunity characteristics

**Mechanical data**

Rotating speed, max.	3000 rpm
Life, min.	200 x 10 <sup>6</sup> revolutions
MTBF	300.000 h
Torque (room / min. temperature), max.	0.4 Nm / 1.0 Nm @ start-up 0.4 Nm / 1.0 Nm @ rotation
Interface loads, max.	no loads allowed
Case material	aluminum alloy
Case surface finish	chromate conversion coat painted RAL9005 jet black
IP protection level	IP60
Weight, approx.	6.0 kg (without cables)
Marking	adhesive label
Standard cable length	1400 mm ± 5 % (or special cable length according to specific data sheet)

**Environmental conditions**

<b>Operation</b>	
Ambient temperature range (near housing)	-25°C to +60°C
Relative humidity, max.	95% (non-condensing)
Shock	30 g / 11 ms half sine, 3 shocks in each direction of 3 orthogonal axes
Vibration	20-50 Hz, PSD of 0.02 g <sup>2</sup> /Hz falling to 0.001 g <sup>2</sup> /Hz at 500 Hz in each of 3 orthogonal axes Duration: 15 min/axis
<b>Storage</b>	
Ambient temperature range	-40°C to +85°C
Relative humidity, max.	95% (non-condensing)

**Applicable documents**

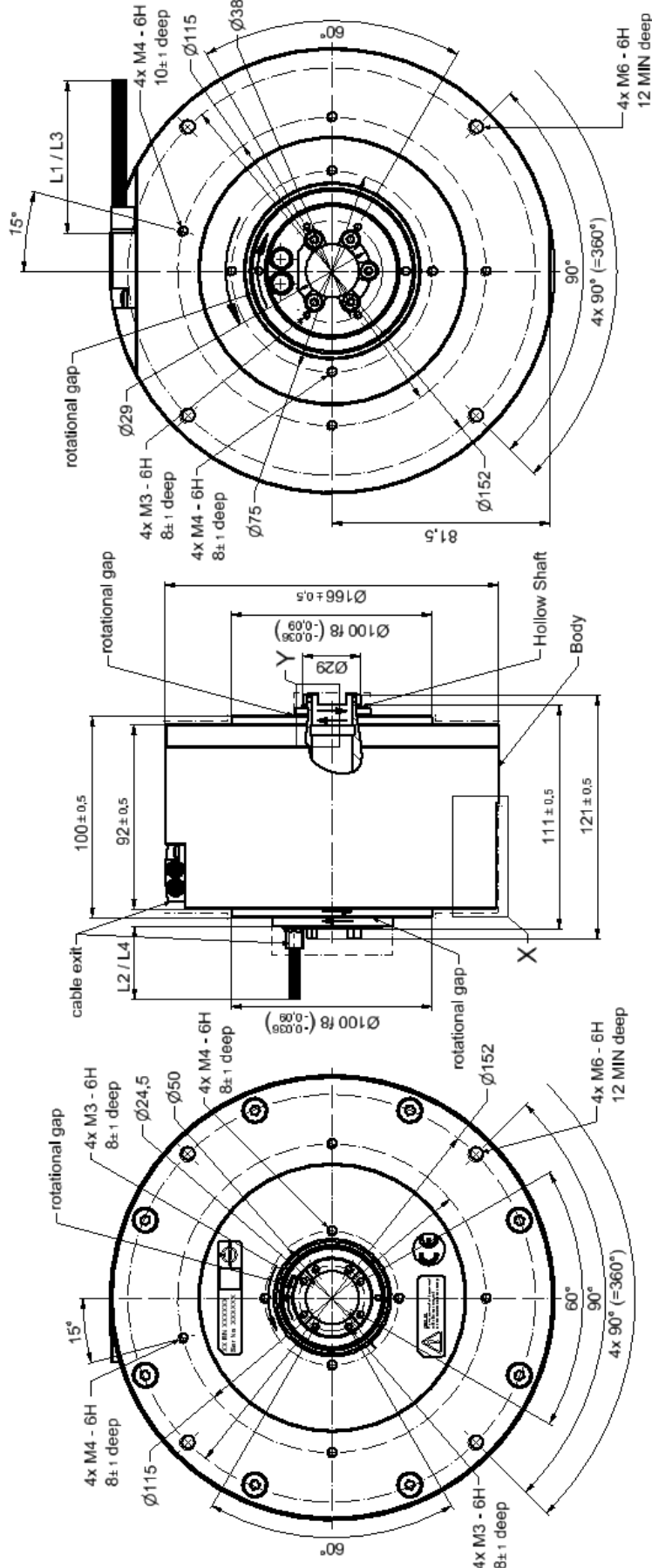
Specific Circuit Diagram	637493CXXXX-CD (XXXX according to ordering number)
Specific Data Sheet	637493CXXXX-BE (XXXX according to ordering number)

SPINNER GmbH | This document is proprietary to us. All rights reserved. Any use, transfer, or reproduction of this document or the know-how contained therein requires our express consent.

Template TD-00015N

Rotary Joint || BN 637493

Standard outline (all dimensions in millimeter)



1) free of paint:  
 - sections marked with: - - - - -  
 - free inner diameter  
 - all cables

SPINNER GmbH | This document is proprietary to us. All rights reserved. Any use, transfer, or reproduction of this document or the know-how contained therein requires our express consent.

Template TD-00015N