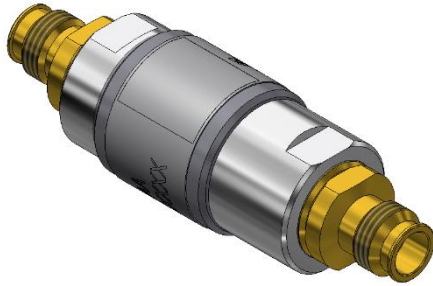


Rotary Joint || BN 835082



Radio frequency characteristics

Coaxial interface connector / material / surface finish	1.35-f (50 Ω) / copper alloy / gold plated
Frequency range	DC to 92 GHz
Peak power rating	800 W @ 2.000 m if not pressurized
Average power rating	4 W @ DC to 26.5 GHz 0.8 W @ 26.5 to 70 GHz 0.7 W @ 70 to 90 GHz
VSWR, max.	1.20 @ DC to 26.5 GHz 1.40 @ 26.5 to 70 GHz 1.60 @ 70 to 90 GHz
VSWR variation over rotation, max	0.04 @ DC to 26.5 GHz 0.10 @ 26.5 to 70 GHz 0.15 @ 70 to 90 GHz
Insertion loss, max.	0.5 dB @ DC to 26.5 GHz 0.8 dB @ 26.5 to 70 GHz 1.0 dB @ 70 to 90 GHz
Insertion loss variation over rotation, max.	0.05 dB @ DC to 26.5 GHz 0.15 dB @ 26.5 to 70 GHz 0.3 dB @ 70 to 90 GHz
Phase variation over rotation, max.	2 deg. @ DC to 26.5 GHz 5 deg. @ 26.5 to 70 GHz 7 deg. @ 70 to 90 GHz
DC carrying capability	0.1 A

Mechanical characteristics

Rotating speed, max. / nominal	300 / 200 rpm
Life, min.	0.1 x 10 ⁶ revolutions
Torque (room / min. temperature), max.	0.5 N·cm / - @ start-up 0.5 N·cm / - @ rotation
Interface loads, max.	±0.5 N in axial direction ±0.5 N in radial direction
Case material	copper alloy and stainless steel
Case surface finish	partially gold plated
IP protection level	IP 50
Weight, approx.	0.03 kg
Marking	adhesive label

SPINNER GmbH | This document is proprietary to us. All rights reserved. Any use, transfer, or reproduction of this document or the know-how contained therein requires our express consent.

Template TD-00002X

Rotary Joint || BN 835082

Environmental conditions

Operation	
Ambient temperature range	-40 to +60°C
Relative humidity, max.	95% (non-condensing)
Storage	
Ambient temperature range	-55 to +80°C
Relative humidity, max.	95% (non-condensing)

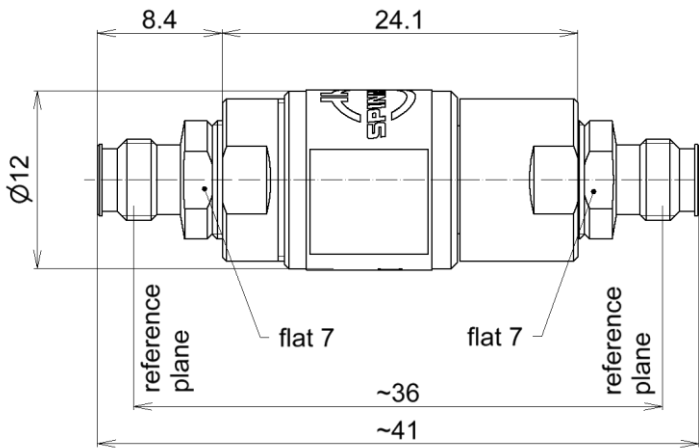
Scope of delivery and accessories

Scope of delivery	protective caps
-------------------	-----------------

Applicable documents

Drawing	835082-0E, Issue A
Technical information	“Rotary Joints – Glossary”, Technical Document TD-00021, Spinner GmbH
Application note	“Rotary Joints – Installation Guidelines”, Technical Document TD-00057, Spinner GmbH

Outline (all dimensions in millimeter)



SPINNER GmbH
 This document is proprietary to us.
 All rights reserved. Any use, transfer, or reproduction of this document
 or the know-how contained therein requires our express consent.

Template TD-00002X