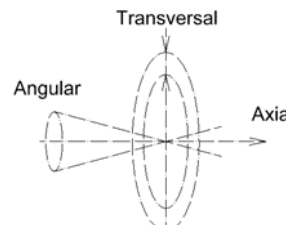




General technical data		
Frequency range	DC to 6 GHz	
VSWR, max.	1.02 @ DC to 2 GHz	1.06 @ 2 to 6 GHz
Intermodulation (IM3) 2x20 W max.	-162 dBc (for first 5,000 <sup>1)</sup> matings) <sup>2)</sup>	
Ambient temperature range	+5 °C to +40 °C (indoor)	
Misalignment corrections <sup>3)</sup>		
Transversal	±2 mm	
Axial	6 mm	
Angular	±1.5°	
Contact force during measurement, approx.	80 N (at stroke 2 mm)	
Required stroke during measurement	1.5 mm to 6 mm	
Latching	non-locking	
Matings	10,000 <sup>1)</sup>	
Inner conductor material / surface finish	CuBe age hardened / gold plated copper alloy / gold plated	
Outer conductor material / surface finish	copper alloy / gold plated CuBe / gold plated	
Other metal parts / surface finish	copper alloy / CuSnZn plated stainless steel / untreated copper alloy / nickel plated	
Insulation	LCP cross linked polystyrene PTFE	

1) In order to ensure best possible measurement result, cleaning has to be assessed and executed by professional staff on a regular basis.

2) EasyDock is only released for IM measurement if interfaces on both ends are either 7-16 or 4.3-10

3) Values for misalignments might vary in case multiple misalignments have to be adjusted at the same time.

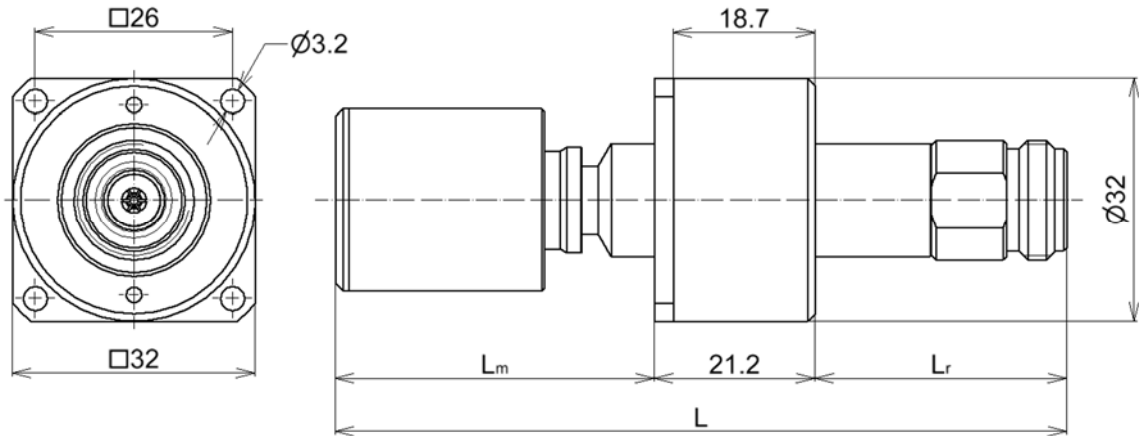


Sales article numbers								
Coaxial adapter EasyDock non-locking		Measurement interface		Rear interface		Mounting		Extra features
<b>CAEN</b>	-	<b>X</b>	-	<b>Z</b>	-	<b>X</b>	-	<b>Z</b>
7-16 male push-pull		<b>7MP</b>					blank if not applicable	
4.3-10 male push-pull		<b>43MP</b>						
4.1-9.5 male push-pull		<b>41MP</b>						
N male push-pull		<b>NMP</b>						
7-16 female			<b>7F</b>					
4.3-10 female			<b>43F</b>					
N female			<b>NF</b>					
3.5 mm female			<b>35F</b>					
Bulk head						<b>B</b>		
Panel four hole						<b>P</b>		
Screening effectiveness (only for 7-16 measurement interface)								<b>S</b>

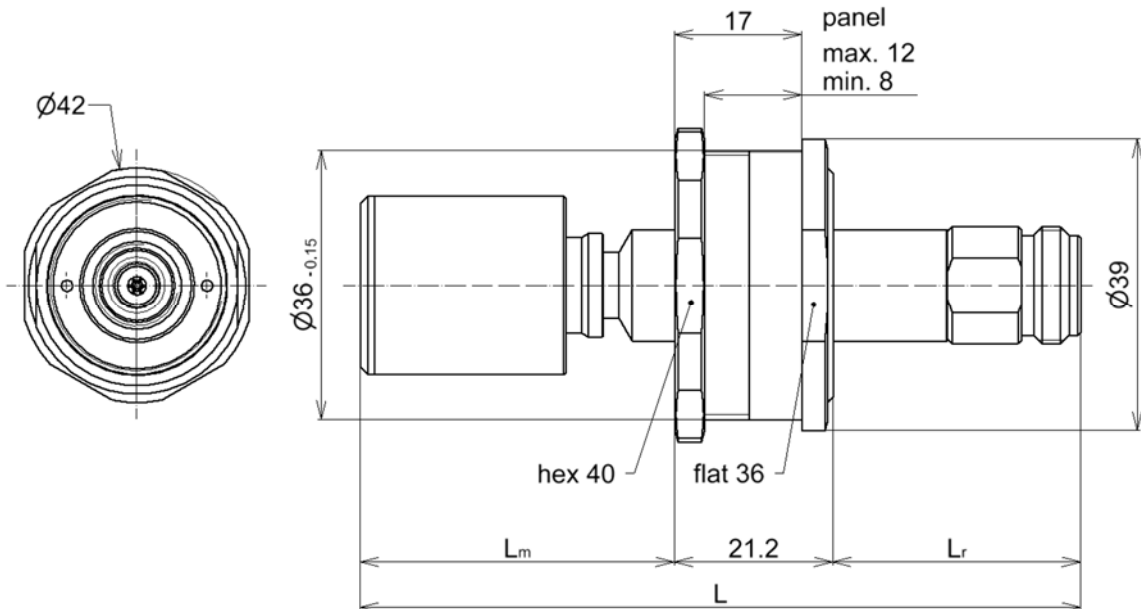
Examples:  
 CAEN-7MP-43F-B-S (Coaxial adapter EasyDock non-locking, 7-16 male push-pull, 4.3-10 female, bulk head, screening effectiveness)  
 CAEN-NMP-NF-P (Coaxial adapter EasyDock non-locking, N male push-pull, N female, panel four hole)

Panel mounting dimensions

Panel four hole



Bulkhead



All dimensions in millimeter  
 Calculation of total length:  
 $L = 21.2 + L_m$  (length of measurement interface) +  $L_r$  (length of rear interface)

Connector variants		
	Measurement interface	Rear interface
7-16 (50 Ω) per IEC 61169-4		
	<b>7MP</b>	<b>7F</b>
4.3-10 (50 Ω) per IEC 61169-54		
	<b>43MP</b>	<b>43F</b>
4.1-9.5 (50 Ω) per IEC 60169-11		
	<b>41MP</b>	
N (50 Ω) per IEC 61169-16		
	<b>NMP</b>	<b>NF</b>
3.5 mm (50 Ω) per IEC 60169-23		
		<b>35F</b>