



Series

403
HI-REL

35 KVDC

3 Pin

Bayonet Coupling

General Specifications

Series 403

Ruggedized 3 pin connectors designed to operate at 35 KVDC from sea level to 70,000 feet. Operating temperature is -55°C to +125°C.

Applications

Series 403 connectors feature stainless steel bodies and coupling rings and are resistant to salt spray and other corrosive environments. The connectors are uniquely qualified to function aboard ships or airborne Radar applications. The connectors and cable assemblies are 100% tested at 50 KVDC at a simulated altitude of 70,000 feet. (ambient room temperature)



GENERAL SPECIFICATIONS

Voltage rating (any altitude)

35 KVDC

Operating temperature

-55°C to +125°C

Plug insulator material

Diallyl Phthalate Plastic

Receptacle insulator material

Diallyl Phthalate Plastic

Coupling type

Bayonet

Bayonet coupling ring diameter. Inches/mm

2.10/53.3

Body and coupling ring material/finish

Stainless/Passivation

Male Contact Size (Plug)

12 gauge

Male Contact Material/Finish

Brass/Gold

Female Contact Material/Finish

BeCu/Gold

Hooded Female Contact

Yes

Crimp Braid Termination (plug)

Yes

Maximum operating current (RMS)

13 amps

100% test voltage

50 KVDC @ 70,000 feet simulated. Ambient room temperature



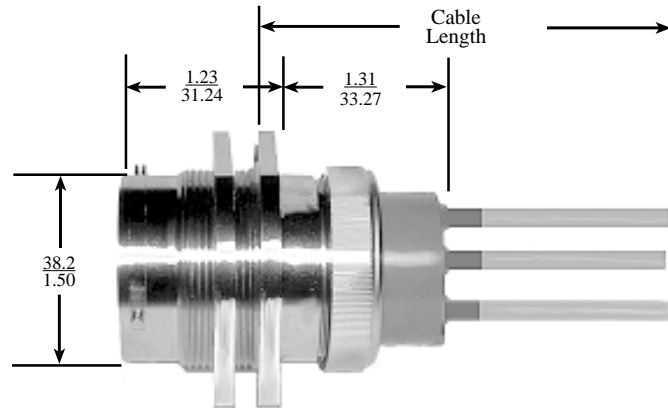
Series

403

35 KVDC
Bayonet Coupling

Altitude Rated
Operating Temperature:
-55°C to +125°C

Cable Assemblies



P/N 178-7918 Receptacle with encapsulated wire leads

Body material: Stainless steel.

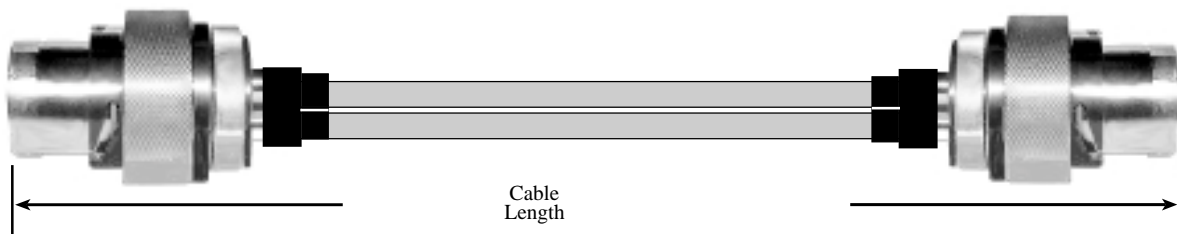
Voltage rating: 35 KVDC

100% Voltage test: 50 KVDC @ 70,000 feet simulated
at ambient room temperature

Wire: 0.150 FEP wire **P/N 167-9610**

Max. operating current: (RMS) 13 amps

Ordering: See cable assembly ordering information below



P/N 167-8743 3 pin double ended shielded plug cable assembly (shown)

P/N 167-8750 3 pin double ended non-shielded plug cable assembly (not shown)

P/N 167-8744 3 Pin single ended shielded plug cable assembly (not shown)

P/N 167-8748 3 Pin single ended non-shielded plug cable assembly (not shown)

Double ended 35 KVDC cable assembly

100% Voltage test: 50 KVDC @ 70,000 feet simulated. Room ambient temperature

Braid termination: Crimp

Shielded version uses .150 FEP cable **P/N 167-9785**

Non-shielded version uses .150 FEP cable **P/N 167- 9610**

Mates all series 403 receptacles

General Specifications

Ordering: See cable assembly ordering information below

Cable Assembly Ordering information

Order by Part Number

Use "F" for feet, "N" for inches.

Example: Cable Assembly 178-7034 10 feet 8 inches
in length, is ordered as **P/N 178-7034-10F-8N**