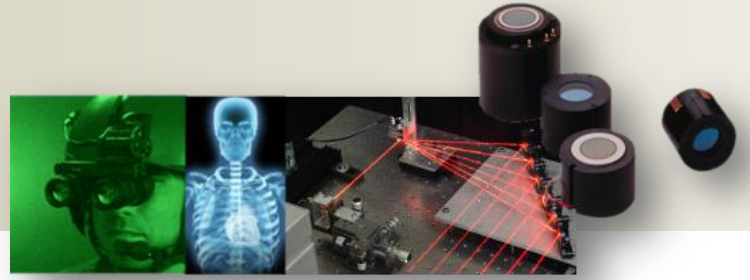




# Voltage Multipliers



## VM6

**6.000 Vdc** by using two in series

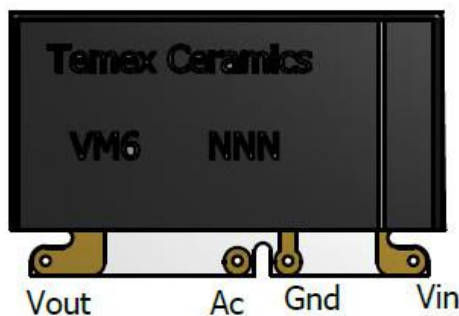
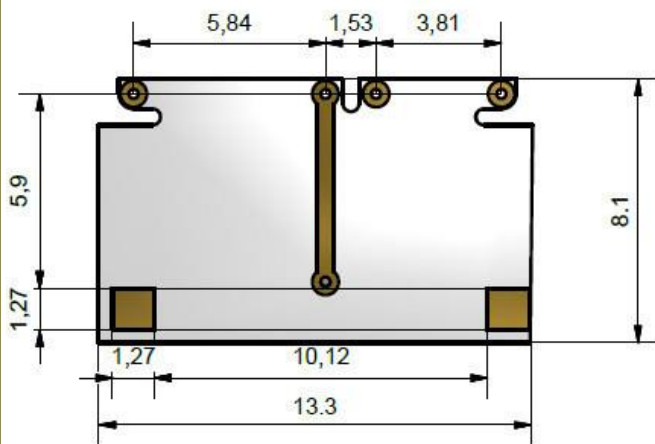
Miniaturized Half Wave Voltage Multiplier



- Ultra small size
- Highly Efficient
- ITAR free
- Uniform stress on diodes

Plating: Electroless Nickel / Immersion Gold (ENIG)

Tolerance:  $\pm 0.25\text{mm}$   
Unit: Millimeters

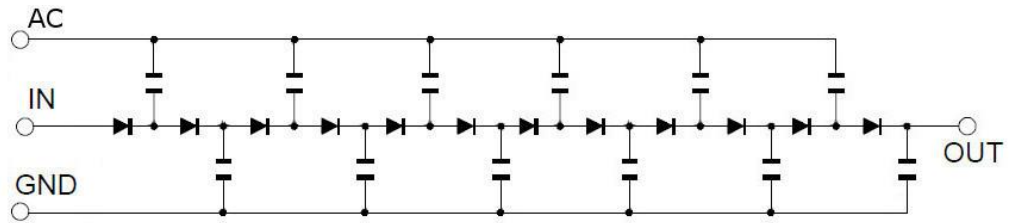


Minimum 0.8mm free on the metallic pads

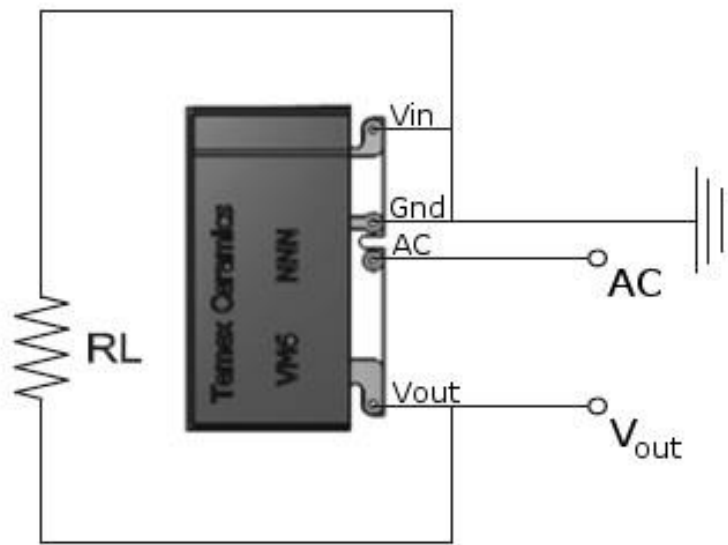
The component must be coated on the board to prevent electrical arcs

Maximum A.C. Input Voltage	600 Vpp
Maximum D.C. Output Voltage	3000 VDC
Typical Output Current Range	0 to 50 $\mu\text{A}$
Typical Frequency	10 to 100 KHz
Number of Stages	12
Operating and storage Temperatures	-55°C to +125°C
Pin finish	ENIG Gold
Peak wave solder temperature	260°C 2mm
Peak reflow temperature	260°C
Floor Life	MSL/JDEC 2

- **Electrical equivalent circuit**



- **Typical multiplier circuit**



2 Multipliers can be mounted in Series for a DC output up to 6000V.

### Output Voltage Vs. Input Voltage

